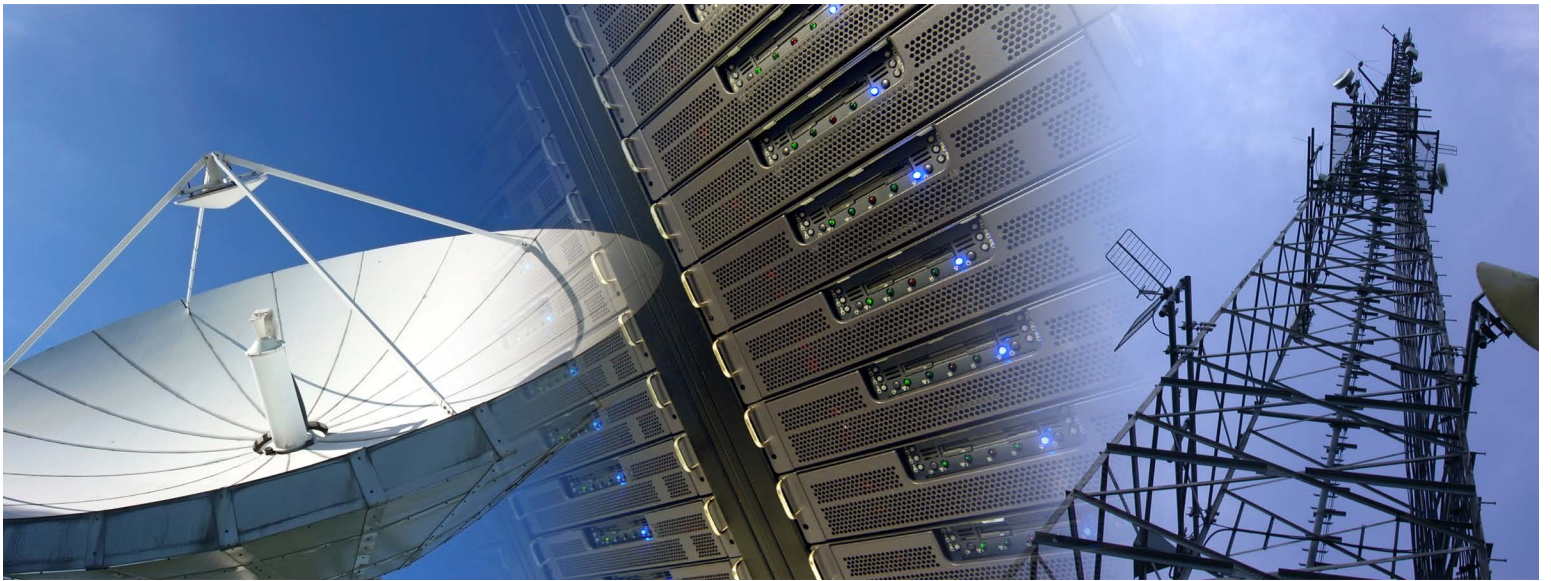
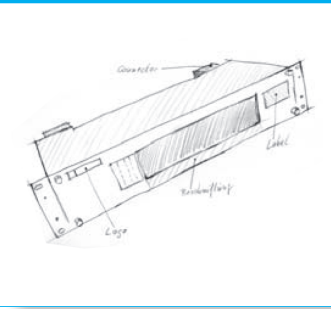


Communications Power Management Solutions





Concept



Make E-T-A your Design Partner

Power management solutions begin with an understanding of your requirements. From concept to production, E-T-A is equipped with the expertise and tools necessary to develop and produce a solution to meet the exact specifications of your application regardless of the complexity.

Design

As your design partner, E-T-A adds circuit protection expertise, electromechanical design and project management capabilities to your team. This allows your design engineers to maintain their focus on customer and revenue critical applications while E-T-A designs and supplies your power management solutions.

Single Source Provider

E-T-A will streamline component sourcing and vendor selection to reduce material and inventory management requirements. E-T-A's efficient management and strong relationships with component vendors ensures your power management systems will be built with the best and most cost-effective materials - giving your product offering the competitive edge.

Production



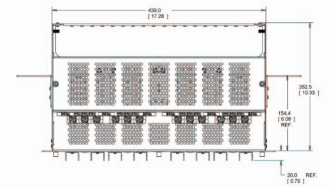
Manufacturing

Once the design is approved, E-T-A utilizes state of the art equipment, documented processes and skilled labor to build prototypes and manufacture high volume orders. E-T-A's fully staffed manufacturing operation eliminates the need for you to maintain and manage in-house manufacturing labor and eliminates the need for manufacturing space for power management systems.

Quality & Testing

Quality is E-T-A's top priority. All power management solutions are manufactured and 100% tested in E-T-A's ISO certified facility prior to shipping. You can be confident knowing the E-T-A power management system being integrated into your equipment is built and tested to the highest standards.

Design



3D Modeling



Standard Systems

Part number	Description	Pages
PDB-8340-0606-(XX)	1RU, Pluggable CBE	3 - 4
PDB-8345-0607-(XX)	1RU, Pluggable CBE	5 - 6
X1180R-S00-0500-1-240X00-(XX)-048 X1180R-S00-0500-2-120X120-(XX)-048	1RU, Standard 19"	7 - 8
X8345R-S00-0584-2-03X30-(XX)-NA-058208 X8345R-S00-0584-2-03X30-(XX)-E-058208	2RU, Pluggable CBE	9 - 10
X8345R-S00-0584-4-33X33-(XX)-NA-058208 X8345R-S00-0584-4-33X33-(XX)-E-058208	2RU, Pluggable CBE	11 - 12
X452R-S00-0572-4-33X33-(XX)	2RU, Pluggable CBE, Quick Connect	13 - 14
X8340R-S00-0618-(XX)	2RU, Pluggable CBE	15 - 16
Breakers & System Accessories		17 - 18



PDB-8340-0606-(XX)

1RU, Pluggable CBE

Description

- Isolated A and B power regions for redundancy
 - (2) PWR and (2) RTN inputs each side
 - (6) PWR and (6) RTN outputs each side
- Inputs accept common 2-hole compression lugs up to 2 AWG cable or 2-hole narrow tongue compression lugs up to 2/0 cable.
- Output accepts standard ring tongue terminals up to 10 AWG cable, narrow tongue up to 8 AWG
- 1RU, Standard 19" rack mount chassis width, 8.25" chassis depth
- Mounting flange options available for EIA 19", 23" and ETSI standard mounting
- Pluggable Circuit Breaker for field install or upgrade.
 - E-T-A 8340 series, Hydraulic-Magnetic, UL1077 circuit breakers (1A to 50A configurations avail. per channel)
- Voltage status indicator on each input
 - LED on : Voltage live at system
 - LED Green : Polarity Correct
 - LED Red : Polarity Incorrect
- Options:
 - Jumper Bar for reduced input configurations
 - Alarm indicators and output

View



Technical Data

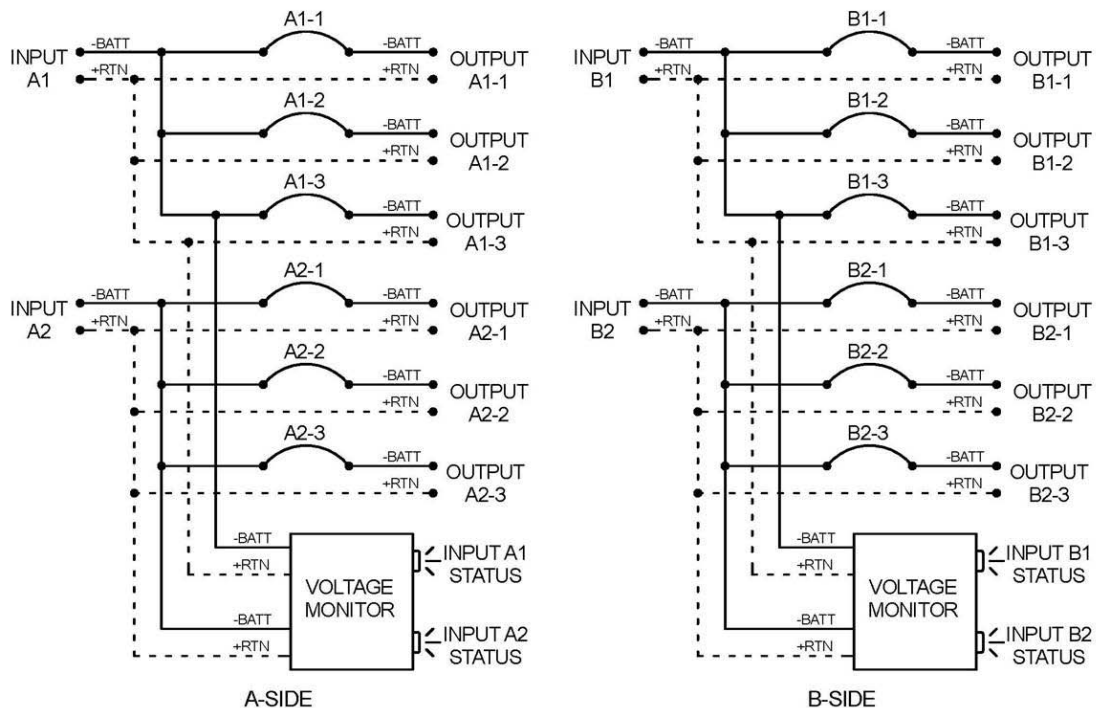
Dimensions	17.50" x 1.75" x 8.70"
Rack Mounting	19", ETSI, 23" & Custom
Operating Voltage	-72 VDC to 72 VDC
Operating Temperature	- 5° C to 55° C
Current Carrying Capacity	300 A
Breaker Capacity	12 channels, 50 A max per channel
Circuit Protection/Control	Hydraulic Magnetic - Single Pole
Circuit Breaker	8340-G110-R1H1-A7H0-xxA

Input Terminals	2-hole lug, 1/4"-20 studs, 5/8" offset
Output Terminals	#8-32 screw terminal, Phillips
Chassis Ground	2-hole lug, 1/4"-20 studs, 5/8" offset
Hardware	1/4" kep nuts, #8 screws (included)
RoHs Status	Compliant
Approvals	<ul style="list-style-type: none"> • UL, CSA, CB Scheme Pending • Designed to meet NEBs Level 3

Standard Part Numbers

Part Number	Supply Feeds	Breakers per feed	Rack mount size	Operating Voltage	Current Carrying Capacity
PDB-8340-0606-19	4	3	19"	- 72 VDC to 72 VDC	300 A
PDB-8340-0606-23			23"		
PDB-8340-0606-ETSI			ETSI		

Schematic diagram



PDB-8345-0607-(XX)

1RU, Pluggable CBE

Description

- Isolated A and B power regions for redundancy
 - (2) PWR and (2) RTN inputs each side
 - (2) PWR and (2) RTN outputs each side
- Inputs and Outputs accept common 2-hole compression lugs up to 2 AWG cable or 2-hole narrow tongue compression lugs up to 2/0 cable.
- 1RU, Standard 19" rack mount chassis width, 8.25" chassis depth
- Mounting flange options available for EIA 19", 23" and ETSI standard mounting
- Pluggable Circuit Breaker for field install or upgrade.
 - E-T-A 8345 series, Hydraulic-Magnetic, UL489 circuit breakers (1A to 125A configurations avail.)
- Voltage status indicator for each input
 - LED on : Voltage live at system
 - LED Green : Polarity Correct
 - LED Red : Polarity Incorrect
- Options:
 - Jumper bar for reduced input configuration
 - Alarm indicators and output

View



Technical Data

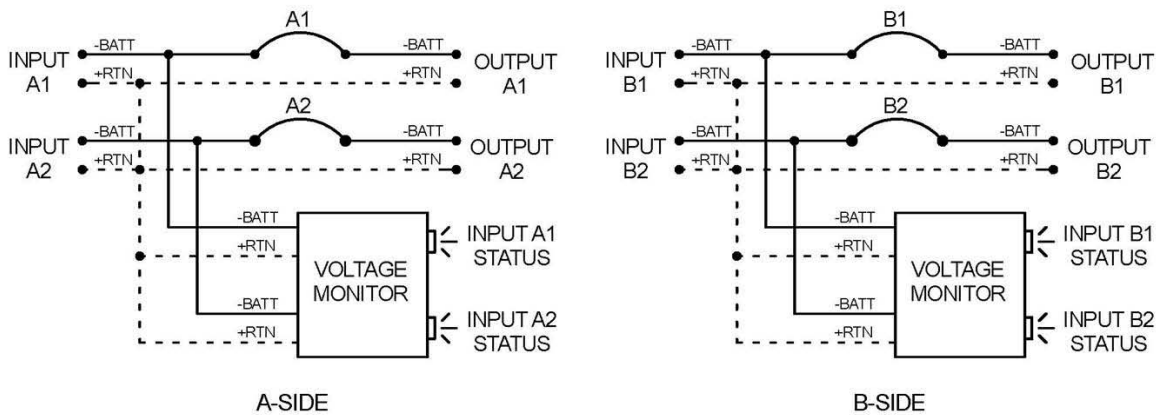
Dimensions	17.50" x 1.75" x 8.23"
Rack Mounting	19", ETSI, 23" & Custom
Operating Voltage	-72VDC to 72VDC
Operating Temperature	-5°C to 55°C
Current Carrying Capacity	250 A
Breaker Capacity	4 channels, 125 A max. per channel
Circuit Protection/Control	Hydraulic Magnetic - Single Pole
Circuit Breaker	8345-F01Z-R0M1-DB1B2B-(1-125A)
Switch	8345-F01Z-R0M1-DB1B1B-125A

Input Terminals	2-hole lug, 1/4"-20 studs, 5/8" offset
Output Terminals	2-hole lug, 1/4"-20 studs, 5/8" offset
Chassis Ground	2-hole lug, 1/4"-20 studs, 5/8" offset
Hardware	1/4" Kep Nuts (Included)
RoHs Status	Compliant
Approvals	<ul style="list-style-type: none"> UL, CSA, CB Scheme Pending Designed to meet NEBs Level 3

Standard Part Numbers

Part Number	Supply Feeds	Breakers per feed	Rack mount size	Operating Voltage	Current Carrying Capacity
PDB-8345-0607-19	4	1	19"	-72VDC to 72VDC	250 A
PDB-8345-0607-23			23"		
PDB-8345-0607-ETSI			ETSI		

Schematic diagram



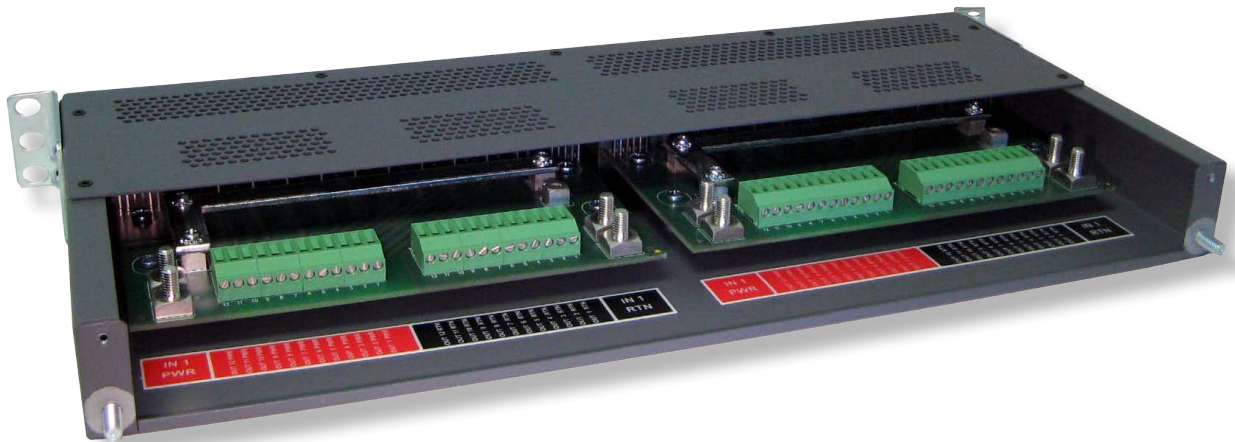
X1180R-S00-0542

1RU, Standard 19"

Description

- Isolated A and B power regions for redundancy
 - (1) PWR and (1) RTN inputs each side
 - (12) PWR and (12) RTN outputs each side
- Inputs accept common 2-hole compression lugs up to 2/0 cable.
- Output accepts bare wire – 20 to 12 AWG cable
- 1RU, Standard 19" rack mount chassis width, 9.14" chassis depth
- Mounting flange options available for EIA 19", 23" and ETSI standard mounting
- Pluggable Circuit Breaker for field install or upgrade.
 - E-T-A 1180 series, Thermal CBE, UL1077 circuit breakers (0.1A to 10A configurations avail.)

View



Technical Data

Dimensions	17.50" x 1.75" x 9.14"
Rack Mounting	19", 23", ETSI & Custom
Operating Voltage	- 72 VDC to 72 VDC
Operating Temperature	- 5° C to - 55° C
Current Carrying Capacity	240A
Breaker Capacity	24 channels , 10 A max per channel
Circuit Protection/Control	Thermal - Single Pole
Circuit Breaker	1180-01-(0.1 - 10A)

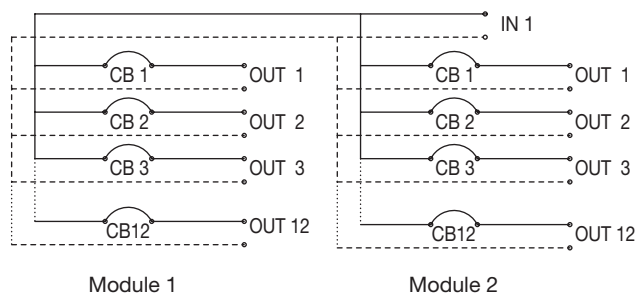
Input Terminals	2-hole lug, M6 studs, 5/8" offset
Output Terminals	Screw terminal - bare wire termination
Chassis Ground	2-hole lug, M6 studs, 5/8" offset
RoHs Status	Compliant
Approvals	<ul style="list-style-type: none"> • UL • CSA • CB • Designed to meet NEBs Level 3

Standard Part Numbers

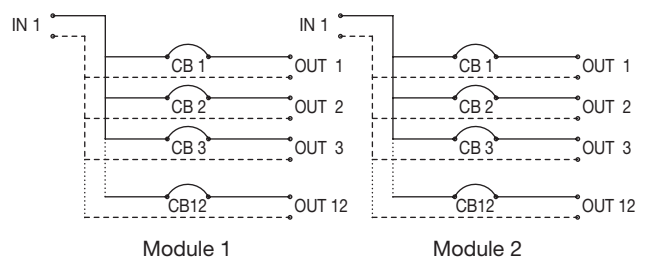
Part Number	Supply Feeds	Breakers per feed	Rack mount size	Operating Voltage	Current Carrying Capacity	
X1180R-S00-0542-1-240X00-19-048	1	24	19"	- 72 VDC to 72 VDC	120A	
X1180R-S00-0542-1-240X00-23-048			23"			
X1180R-S00-0542-2-120X120-19-048	2	12 + 12	19"		- 72 VDC to 72 VDC	240A
X1180R-S00-0542-2-120X120-23-048			23"			

Schematic diagram

X1180R... 00X240



X1180R... 120X120



X8345R-S00-0584-2-03X30-(XX)-(X)-058208; 2RU, Pluggable CBE

Description

- Isolated A and B power regions for redundancy
 - (1) PWR and (1) RTN inputs each side
 - (3) PWR and (3) RTN outputs each side
- Inputs accept common 2-hole compression lugs up to 2/0 cable
- Outputs accept common 2-hole compression lugs up to 2 AWG cable
- Rear and Side cable access
- 2RU, Standard 19" rack mount chassis width, 8.25" chassis depth
- Mounting flange options available for EIA 19", 23" and ETSI standard mounting
- Pluggable circuit breaker for field installation or upgrade
 - E-T-A 8345 series, Hydraulic-Magnetic, UL489 circuit breakers (1A to 125A configurations avail.)
- Option:
 - Slide rail kit available for ETSI and 23" version

View



Technical Data

Dimensions	17.50" x 3.50" x 11.10"
Rack Mounting	19", ETSI, 23" & Custom
Operating Voltage	-72VDC to 72VDC
Operating Temperature	-5°C to 52°C
Current Carrying Capacity	240A @ 52°C / 250A @ 42°C
Breaker Capacity	6 channels - 80A per channel @ 52°C 90A per channel @ 42°C
Circuit Protection/Control	Hydraulic Magnetic - Single Pole
Circuit Breaker	8345-F01Z-R0M1-DB1B2B-(1-90A)
Switch	8345-F01Z-R0M1-DB1B1B-125A

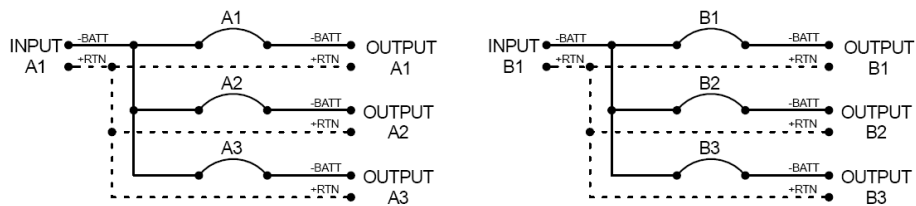
Input Terminals	2-hole lug, M6 studs, 5/8" offset
Output Terminals	2-hole lug, M6 studs, 5/8" offset
Chassis Ground	2-hole lug, M6 studs, 5/8" offset
Hardware Included	M6 Kep Nuts (Included)
RoHs Status	Compliant
Approvals	<ul style="list-style-type: none"> • UL Listed • CSA • CB • Designed to meet NEBs Level 3

Standard Part Numbers

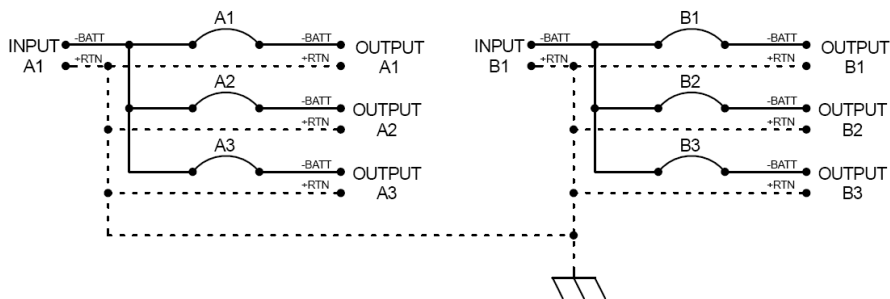
Part Number	Supply Feeds	Breakers per feed	Rack mount size	Operating Voltage	Current Carrying Capacity
X8345R-S00-0584-2-03x30-19-NA-058208	2	3	19"	-72VDC to 72VDC	250A
X8345R-S00-0584-2-03x30-ETSI-NA-058208			ETSI		
X8345R-S00-0584-2-03x30-23-NA-058208			23"		
X8345R-S00-0584-2-03x30-19-E-058208			19"		
X8345R-S00-0584-2-03x30-ETSI-E-058208			ETSI		
X8345R-S00-0584-2-03x30-23-E-058208			23"		

Schematic diagram

X8345R-S00-0584-2-03x30-xx-NA-058208



X8345R-S00-0584-2-03x30-xx-E-058208



X8345R-S00-0584-4-33X33-(XX)-(X)-058208; 2RU, Pluggable CBE

Description

- Isolated A and B power regions for redundancy
 - (2) PWR and (2) RTN inputs each side
 - (6) PWR and (6) RTN outputs each side
- Inputs accept common 2-hole compression lugs up to 2/0 cable
- Outputs accept common 2-hole compression lugs up to 2 AWG cable
- Rear and Side cable access
- 1RU, Standard 19" rack mount chassis width, 8.25" chassis depth
- Mounting flange options available for EIA 19", 23" and ETSI standard mounting
- Pluggable circuit breaker for field install or upgrade
 - E-T-A 8345 series, Hydraulic-Magnetic, UL489 circuit breakers (1A to 125A configurations avail.)
- Options:
 - Slide rail kit available for ETSI and 23" version
 - Jumper bar for reduced input configuration

View



Technical Data

Dimensions	17.50" x 3.50" x 11.10"
Rack Mounting	19", ETSI, 23" & Custom
Operating Voltage	-72VDC to 72VDC
Operating Temperature	-5°C to 42°C
Current Carrying Capacity	500A
Breaker Capacity	12 channels, 90A max. per channel
Circuit Protection/Control	Hydraulic Magnetic - Single Pole
Circuit Breaker	8345-F01Z-R0M1-DB1B2B-(1-90A)
Switch	8345-F01Z-R0M1-DB1B1B-90A

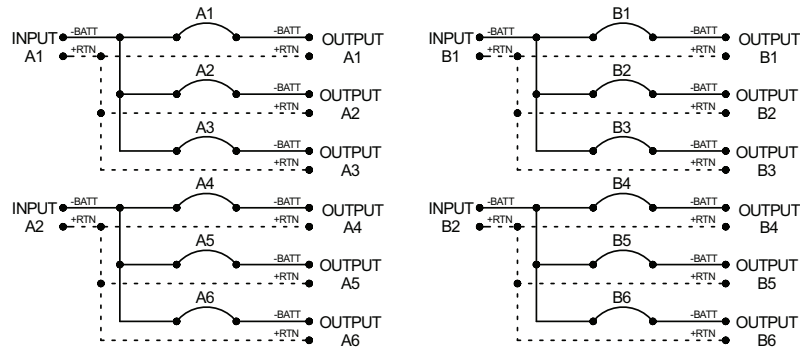
Input Terminals	2-hole lug, M6 studs, 5/8" offset
Output Terminals	2-hole lug, M6 studs, 5/8" offset
Chassis Ground	2-hole lug, M6 studs, 5/8" offset
Hardware	M6 Kep Nuts (Included)
RoHs Status	Compliant
Approvals	<ul style="list-style-type: none"> UL Listed CSA CB Scheme Designed to meet NEBs Level 3

Standard Part Numbers

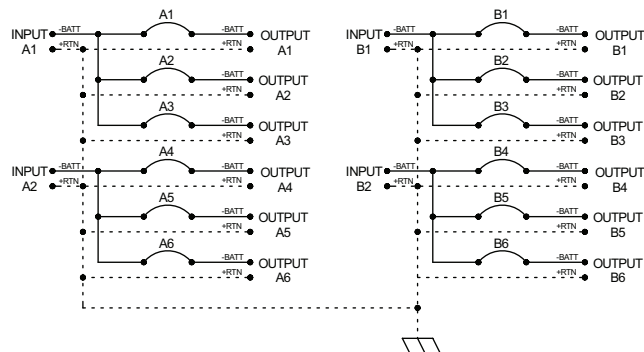
Part Number	Supply Feeds	Breakers per feed	Rack mount size	Operating Voltage	Current Carrying Capacity
X8345R-S00-0584-4-33X33-19-NA-058208	4	3	19"	-72VDC to 72VDC	500A
X8345R-S00-0584-4-33X33-ETSI-NA-058208			ESTI		
X8345R-S00-0584-4-33X33-23-NA-058208			23"		
X8345R-S00-0584-4-33X33-19-E-058208			19"		
X8345R-S00-0584-4-33X33-ETSI-E-058208			ESTI		
X8345R-S00-0584-4-33X33-23-E-058208			23"		

Schematic diagram

X8345R-S00-0584-4-33X33-xx-NA-058208



X8345R-S00-0584-4-33X33-xx-E-058208



X452-S00-0572-4-33X33-(XX)

2RU, Pluggable CBE, Quick Connect

Description

- Isolated A and B power regions for redundancy
 - (2) PWR and (2) RTN inputs each side
 - (6) PWR and (6) RTN outputs each side
- Inputs accept common 2-hole compression lugs up to 1/0 or 2-hole flex lug up to 1 AWG
- Outputs accept Anderson PP75 quick connects
- 2 RU standard 19" rack mount chassis width, 9.75" chassis depth
- Mounting flange options available for EIA 19", 23" and ETSI standard mounting
- Pluggable circuit breaker for field install or upgrade
 - E-T-A 8340 series, Hydraulic-Magnetic, UL 1077 circuit breakers (1 - 50A configurations available per channel)
 - E-T-A 452 series, Thermal-Magnetic, UL 1077 circuit breakers (1 - 125A configurations available per channel)

View



Technical Data

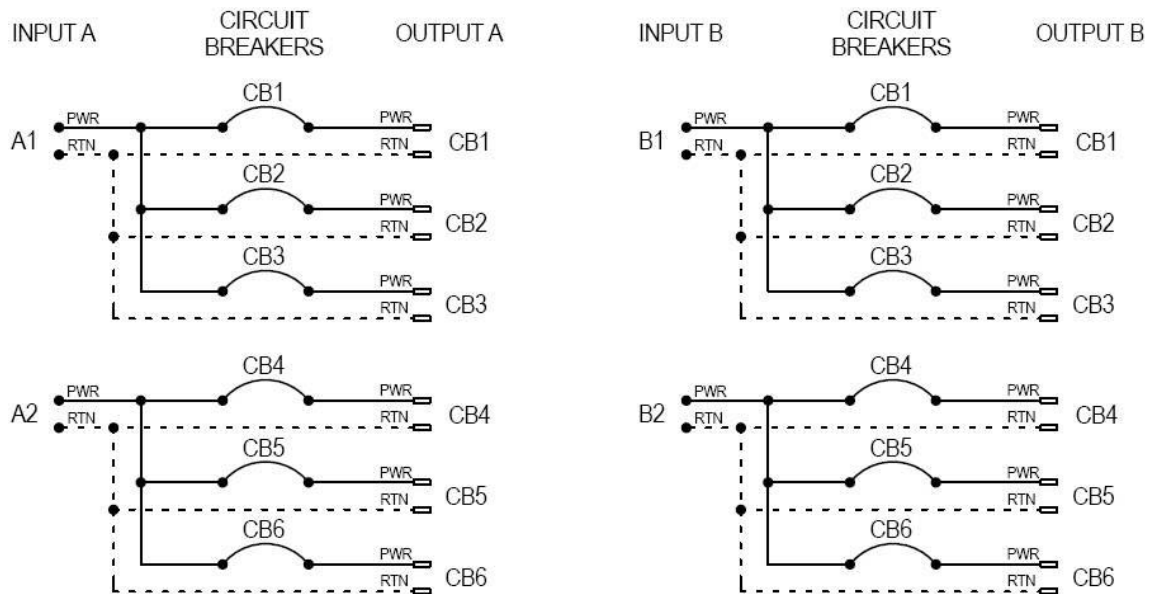
Dimensions	17.50" x 3.50" x 9.25"
Rack Mounting	19", ETSI, 23" & Custom
Operating Voltage	-72 VDC to 72 VDC
Operating Temperature	- 5°C to 55°C
Current Carrying Capacity	450A
Breaker Capacity	12 channels, 75A max per channel
Circuit Protection/Control	Thermal Magnetic - Single Pole Hydraulic Magnetic - Single Pole
Circuit Breaker	8340-G110-R1H1-A7H0-xxA
Circuit Breaker	452-R1LN2-xxA

Input Terminals	2-hole lug, 1/4"-20 studs, 5/8" offset
Output Terminals	Anderson PP75
Chassis Ground	2-hole lug, 1/4"-20 studs, 5/8" offset
Hardware	1/4" kep nuts (included)
RoHs Status	Compliant
Approvals	<ul style="list-style-type: none"> • UL, CSA, CB Scheme Pending • Designed to meet NEBs Level 3

Standard Part Numbers

Part Number	Supply Feeds	Breakers per feed	Rack mount size	Operating Voltage	Current Carrying Capacity
X452R-S00-0572-19	4	3	19"	- 72 VDC to 72 VDC	450A
X452R-S00-0572-ETSI			ETSI"		
X452R-S00-0572-23			23"		

Schematic diagram



X8340R-S00-0618-(XX)

2RU, Pluggable CBE

Description

- Isolated A and B power regions for redundancy
 - (2) PWR and (2) RTN inputs each side
 - (6) PWR and (6) RTN outputs each side
- Inputs accept common 2-hole compression lugs up to 2 AWG cable or 2-hole narrow tongue compression lugs up to 2/0 cable.
- Output accepts standard ring tongue terminals up to 10 AWG cable, narrow tongue up to 8 AWG
- 1RU, Standard 19" rack mount chassis width, 8.25" chassis depth
- Mounting flange options available for EIA 19", 23" and ETSI standard mounting
- Pluggable Circuit Breaker for field install or upgrade.
 - E-T-A 8340 series, Hydraulic-Magnetic, UL1077 circuit breakers (1A to 50A configurations avail. per channel)
- Voltage status indicator on each input
 - LED on : Voltage live at system
 - LED Green : Polarity Correct
 - LED Red : Polarity Incorrect
- Options:
 - Jumper bar for reduced Input configurations
 - Alarm indicators and output

View



Technical Data

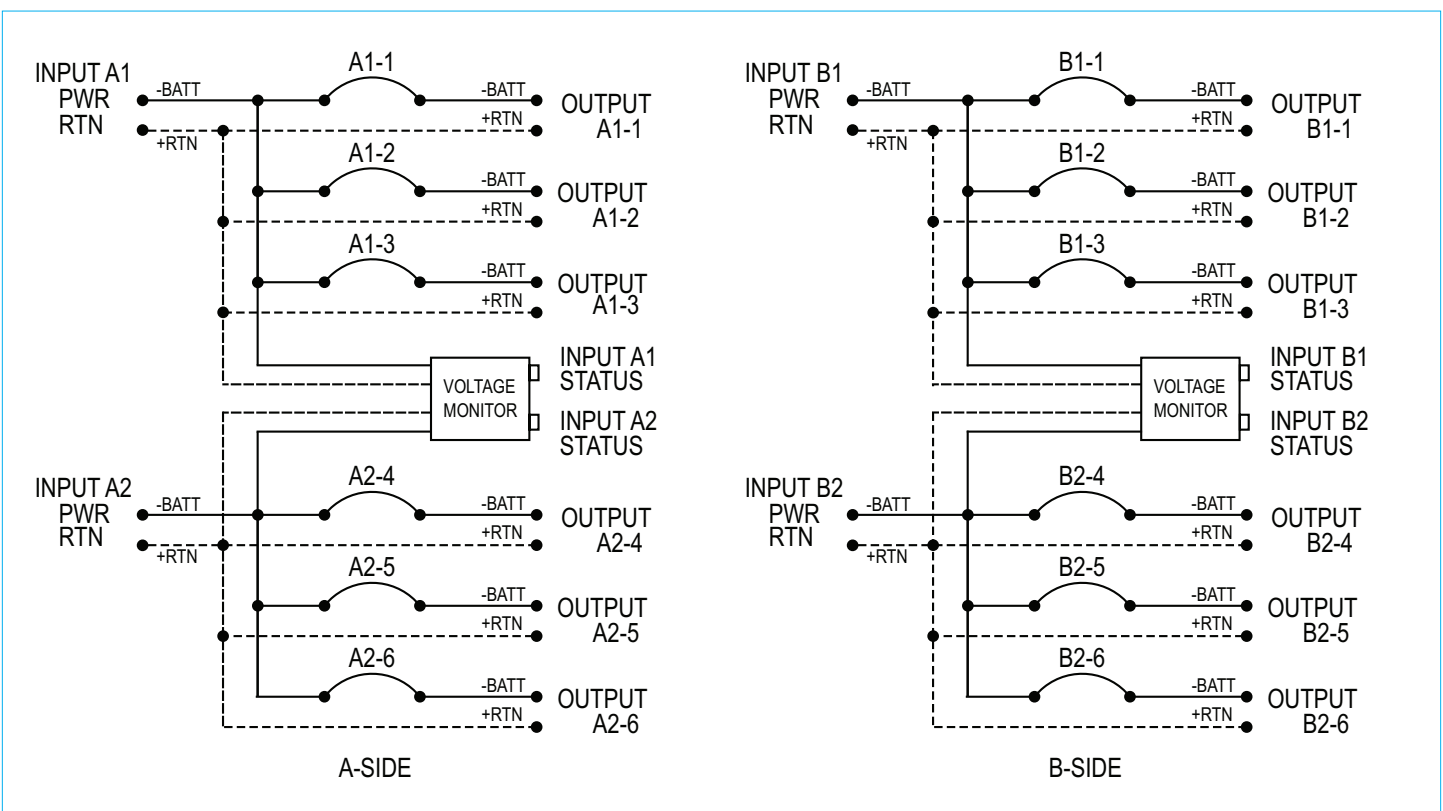
Dimensions	17.50" x 3.50" x 9.50"
Rack Mounting	19", ETSI, 23" & Custom
Operating Voltage	-72 VDC to 72 VDC
Operating Temperature	- 5° C to 55° C
Current Carrying Capacity	300 A
Breaker Capacity	12 channels, 50 A max per channel
Circuit Protection/Control	Hydraulic Magnetic - Single Pole
Circuit Breaker	8340-G110-R1H1-A7H0-xxA

Input Terminals	2-hole lug, 1/4"-20 studs, 5/8" offset
Output Terminals	#8-32 screw terminals, Phillips
Chassis Ground	2-hole lug, 1/4"-20 studs, 5/8" offset
Hardware	1/4" kep nuts, #8 screws (included)
RoHs Status	Compliant
Approvals	<ul style="list-style-type: none"> • UL Listed • CSA • CB Scheme • Designed to meet NEBs Level 3

Standard Part Numbers

Part Number	Supply Feeds	Breakers per feed	Rack mount size	Operating Voltage	Current Carrying Capacity
X8340R-S00-0618-19	4	3	19"	- 72 VDC to 72 VDC	300A
X8340R-S00-0618-ETSI			ETSI		
X8340R-S00-0618-23			23"		



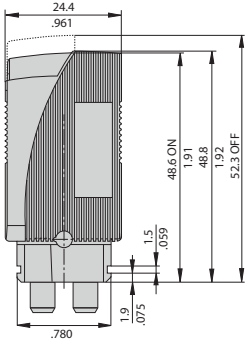
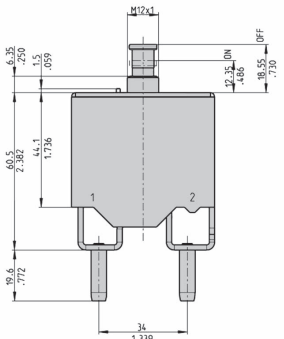
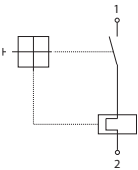
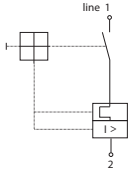
Schematic diagram




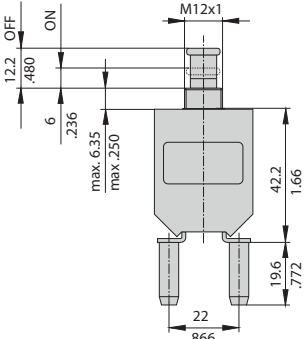
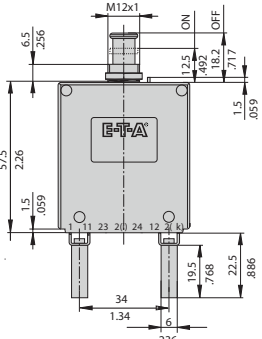
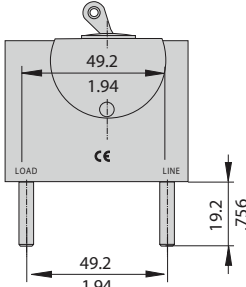
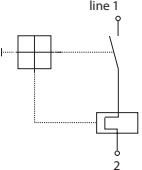
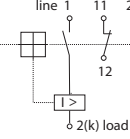
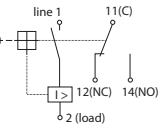




Circuit Breaker

Technical Information

	1180	452
		
Description	Miniturized single pole thermal circuit breaker with switching function optional (push-push actuation)	Thermal-magnetic, threadneck panel mounting, push/pull operation, with auxiliary contact option
Voltage Rating	250 VAC; 65 VDC * (*UL, UL Canada: 250 VAC; 72 VDC)	28 VDC
Current Ratings	0.1... 10A	50... 100A
Typical Life/ Contact Rating	6,000 operations at 1 x IN, resistive 3,000 operations at 1 x IN, inductive 500 operations at 2 x IN, inductive	2500 operations at 1 x IN
Interrupting Capacity Icn	0.1... 5A 6 x IN 6... 10A 8 x IN	28 VDC; 6000A 115 VAC (400 Hz); 1500A
Approvals	UL, UL Candad, VDE	UL, VG 95345 part 17, QPL Canada, QPL Sweden
Dimensions		
Internal Connection Diagrams		

482	8340	8345
		
<p>Thermal, single-pole, threadneck panel mounting, push/pull operation, with auxiliary contact option</p>	<p>Push/pull circuit breaker, thread-neck panel mounting, with auxiliary option. UL 489 A approval</p>	<p>Toggle circuit breaker, flange mounting, with auxiliary contact option and UL 489 approval</p>
<p>115 VAC (400 Hz), 28 VDC* * UL: 72 VDC</p>	<p>3 AC 415 V; 240 VAC * (50/60 Hz); 80 VDC * UL, CSA: 250 VAC</p>	<p>80 VDC; 240 VAC; AC 120/240 V; AC 277/480 V; 2 AC 415 V</p>
<p>0.1...50A</p>	<p>0.02... 50 A single pole 0.02... 30 A multipole (UL: 0.02... 50 A multipole)</p>	<p>0.05... 125 A Higher ratings available upon request</p>
<p>10,000 operations, mechanical 5,000 operations at 1 x IN</p>	<p>10,000 operations with 1 x IN, resistive 1 pole 5,000 operations with 1 x IN, resistive 2 pole</p>	<p>10,000 operations with 1 x IN</p>
<p>0.1...2.5 A 15 x IN 3...3.5A 250 A DC/100 A AC 4...7A 500 A 7.5...50 A 6,000 A DC/ 1,000 A AC 35...50 A 3,000 A DC/ 1,000 A AC</p>	<p>AC: 1,200 A DC: 2,000 A</p>	<p>AC: 5,000 A DC: 10,000 A</p>
<p>UL, CSA, QPL Canada, VG 95345 T21</p>	<p>UL, CSA, VDE, CCC</p>	<p>UL, VDE</p>
		
		





E-T-A Circuit Breakers
1551 Bishop Ct.
Mt. Prospect, IL 60056
Phone (847) 827-7600 Fax (847) 827-7655
usinfo@e-t-a.com