

Description

The compact and flexible all-in-one solution REX consists of several perfectly matched components. It comprises the EM12-T supply module for the plus and minus potential via a single or double channel REX12-T electronic circuit protector which can be mounted side by side in any number and the PM12-T potential extension module for plus and minus multiplication. Connection of the only 12.5 mm wide modules is exclusively with push-in terminals which allow no-tool time-saving wiring.

The circuit protectors are placed on the symmetrical rail one after another in combination with EM12-T and PM12-T and are electrically connected by means of built-in connector arm - no further accessories are required. The circuit protector REX12-T offers selective overcurrent protection by responding to short circuit or overload faster than the switch mode power supply. Capacitive loads of up to 20,000µF can be switched on without problems. The circuit protector is available in all standard fixed and adjustable current ratings from 1 A to 10 A. Besides the UL508 listed approval and NEC Class2, the REX12-T also meets the requirements of cable protection to EN60204-1.

US patent number: US 9,899,807 B2



Features

- Combination of supply modules, overcurrent protection and power distribution
- Selective load protection by means of electronic trip curve
- No accessories required for connecting the components
- Width per channel only 12.5 mm (1-channel) or 6.25 mm (2-channel)
- Fixed and adjustable current ratings 1 A - 10 A
- Integral fail-safe element, adjusted to max. current rating
- Switching capacitive loads up to 20,000 µF
- Manual ON/OFF/reset momentary switch
- Clear status indication by means of LED and signal contact Si
- Connection via push-in terminals including orange press release buttons

Benefits

- Saves cost – no further accessories required
- Saves 50 % time through innovative and flexible mounting and connection technology
- Saves space – with a width of only 12.5 mm per channel
- Provides flexibility through ease of mounting, disassembly and modular design
- Reduces storage costs because only one product is required for all current ratings

Preferred types – for more details on all configurations please see page 4

Preferred types are E-T-A products most frequently used by E-T-A customers. We manufacture E-T-A preferred types in particularly high

volumes. Our preferred types are supplied at shorter lead times than non-standard versions.

Preferred types

| Preferred types | Short description | Preferred ratings (A) | | | | | | |
|-----------------------|------------------------------|-----------------------|----------|----------|-----------|------------|------------|------------|
| REX12-TA1 | 1-channel | 2 | 4 | 6 | 10 | 2/2 | 4/4 | 6/6 |
| REX12-TA1-107-DC24V- | | x | x | x | x | | | |
| REX12-TA2 | 2-channel | 2 | 4 | 6 | 10 | 2/2 | 4/4 | 6/6 |
| REX12-TA2-107-DC24V- | | | | | | x | x | x |
| REX12D-TE2 | 2-channel, adjustable | 1 A...10 A | | | | | | |
| REX12D-TE2-100-DC24V- | | x | | | | | | |

Approvals



Data sheet

The current data sheet is available on our website: www.e-t-a.de/d359

Compliances



Technical data ($T_{amb} = +23\text{ }^{\circ}\text{C}$, $U_B = \text{DC } 24\text{ V}$)

REX12-Txx-xxx circuit protectors

| | |
|-----------------------------------|-----------|
| REX12-TA1-107-DC24V-xA | 1-channel |
| REX12-TB1-107-DC24V-xA | 1-channel |
| REX12-TA2-107-DC24V-xA/xA | 2-channel |
| REX12D-TE2-100-DC24V-xA-xA | 2-channel |

The REX12-TAx is operated in the standard mode with EM12-T. The REX12D-TE2 can be operated both with EM12D-T or EM12-T. The operating mode EM12D-T (COM mode) or EM12-T (standard) is recognised automatically. The following data exclusively refer to the standard mode:

| | |
|--|--|
| Operating voltage U_B | DC 24 V (18...30 V) |
| Closed-circuit current I_0 | |
| REX12-Tx1 1-channel in ON condition: | Typically 5 mA |
| REX12-TA2 2-channel in ON condition: | Typically 8 mA |
| REX12D-TE2 1 A-4 A 2-channel in ON condition: | Typically 9 mA |
| REX12D-TE2 1 A-10 A 2-channel in ON condition: | Typically 12 mA |
| Reverse polarity protection | Yes |
| Power failure buffering time | up to 10 ms |
| Rated current I_N | ratings: |
| REX12-Tx1 | 1 A, 2 A, 3 A, 4 A, 6 A, 8 A, 10 A |
| REX12-TA2 | 1 A/1 A, 2 A/2 A, 3 A/3 A, 4 A/4 A, 6 A/6 A |
| REX12D-TE2 | 1 A-4 A, 1 A-10 A condition upon delivery max. current rating |
| Visual status indication by means of LED | green: Load circuit connected green/orange blinking: load current warning limit reached 90 % orange: overload or short circuit until disconnection red: - after disconnection due to overload or short circuit - after undervoltage release of operating voltage in ON condition with autoreset OFF: Device switched off by means of ON/OFF momentary switch or no operating voltage |

Load circuit

| | |
|---|--|
| Load output | power MOSFET switching output (plus switching) |
| Load current warning limit (I_{WLimit}) hysteresis | typically $0.9 \times I_N$ typically 5 % |
| Overload current disconnection (I_{UL}) | typically $I_{OL} = I_N \times 1.05$ $t_{OL} = 3s$ typically $I_{OL} = I_N \times 1.35$ $t_{OL} = 0.5s$ typically $I_{OL} = I_N \times 2.00$ $t_{OL} = 0.1s$ typically $I_{OL} = I_N \times 2.50$ $t_{OL} = 0.012s$ |
| with trip times (t_{UL}) | typically at short circuit (I_{SC}) $t_{SC} = 0.002s^2$ see time/current characteristic |
| short circuit trip time (t_{SC}) | see time/current characteristic |
| Influence of ambient temperature on overload disconnection and load current warning limit | see temperature factor table |

Voltage drop in load circuit at I_N and at I_N 70 % for REX12-Txx between LINE+ and LOAD+

| | | | |
|-------------------|------------------|--------------|------------------|
| I_N : 1 A (CL2) | typically 180 mV | I_N : 70 % | typically 125 mV |
| I_N : 2 A (CL2) | typically 110 mV | I_N : 70 % | typically 80 mV |
| I_N : 3 A | typically 120 mV | I_N : 70 % | typically 85 mV |
| I_N : 3 A-CL2 | typically 130 mV | I_N : 70 % | typically 90 mV |
| I_N : 4 A | typically 115 mV | I_N : 70 % | typically 80 mV |
| I_N : 4 A-CL2 | typically 180 mV | I_N : 70 % | typically 120 mV |
| I_N : 6 A | typically 170 mV | I_N : 70 % | typically 110 mV |
| I_N : 8 A | typically 160 mV | I_N : 70 % | typically 105 mV |
| I_N : 10 A | typically 180 mV | I_N : 70 % | typically 120 mV |

Technical data ($T_{amb} = +23\text{ }^{\circ}\text{C}$, $U_B = \text{DC } 24\text{ V}$)

REX12D-TE2-100-DC24V-1A-4A-CL2

| | | | |
|-----------------|------------------|--------------|------------------|
| I_N : 1 A-CL2 | typically 50 mV | I_N : 70 % | typically 42 mV |
| I_N : 2 A-CL2 | typically 90 mV | I_N : 70 % | typically 70 mV |
| I_N : 3 A-CL2 | typically 135 mV | I_N : 70 % | typically 95 mV |
| I_N : 4 A-CL2 | typically 180 mV | I_N : 70 % | typically 120 mV |

REX12D-TE2-100-DC24V-1A-10A

| | | | |
|--------------|------------------|--------------|-----------------|
| I_N : 1 A | typically 30 mV | I_N : 70 % | typically 28 mV |
| I_N : 2 A | typically 39 mV | I_N : 70 % | typically 34 mV |
| I_N : 3 A | typically 48 mV | I_N : 70 % | typically 40 mV |
| I_N : 4 A | typically 57 mV | I_N : 70 % | typically 46 mV |
| I_N : 5 A | typically 66 mV | I_N : 70 % | typically 52 mV |
| I_N : 6 A | typically 74 mV | I_N : 70 % | typically 59 mV |
| I_N : 7 A | typically 83 mV | I_N : 70 % | typically 65 mV |
| I_N : 8 A | typically 92 mV | I_N : 70 % | typically 71 mV |
| I_N : 9 A | typically 101 mV | I_N : 70 % | typically 77 mV |
| I_N : 10 A | typically 110 mV | I_N : 70 % | typically 83 mV |

2) depending on power source

| | | |
|--|---|--|
| Fail-safe element integral blade fuse adjusted to related current rating I_N | I_N : 1 A (CL2) I_N : 2 A (CL2) I_N : 3 A I_N : 3A-CL2 I_N : 4 A I_N : 4 A-CL2 I_N : 6 A I_N : 8 A I_N : 10 A I_N : 1 A/1 A (CL2) I_N : 2 A/2 A (CL2) I_N : 3 A/3 A I_N : 3 A/3 A-CL2 I_N : 4 A/4 A I_N : 4 A/4 A-CL2 I_N : 6 A/6 A I_N : 1 A-4 A-CL2 I_N : 1 A-10 A | fail-safe I_N : 1 A fail-safe I_N : 2 A fail-safe I_N : 3.15 A fail-safe I_N : 4 A fail-safe I_N : 4 A fail-safe I_N : 4 A fail-safe I_N : 6.3 A fail-safe I_N : 8 A fail-safe I_N : 10 A fail-safe I_N : 1 A/1 A fail-safe I_N : 2 A/2 A fail-safe I_N : 3.15A/3.15A fail-safe I_N : 4 A/4 A fail-safe I_N : 4 A/4 A fail-safe I_N : 4 A/4 A fail-safe I_N : 6.3 A/6.3 A fail-safe I_N : 4 A failsafe I_N : 16 A |
|--|---|--|

| | |
|---|--|
| operating voltage monitoring re. undervoltage | OFF at typically $U_B < 16.0\text{ V}$ ON at typically $U_B > 19.0\text{ V}$ hysteresis typically 2 V with automatic OFF and ON switching |
|---|--|

| | |
|--|--|
| ON delay - with power ON | channel 1: typically 100 ms (REX12-TAx) channel 2: typically 200 ms (REX12-TAx) channel 1: typically 1,500 ms (REX12D-TE2) channel 2: typically 1,600 ms (REX12D-TE2) |
| - when switching on with ON/OFF switch or - after undervoltage | channel 1: typically 5 ms channel 2: typically 100 ms channel 1: typically 5 ms channel 2: typically 5 ms |

| | |
|------------------|--|
| disconnection of | - manually on the device with the ON/OFF momentary switch - after an overload / short circuit disconnection with storage (no automatic reset) - temporarily at undervoltage - at no operating voltage |
|------------------|--|

| | |
|---|--|
| Switch-on of load circuit - momentary switch ON/OFF | device can only be switched on when operating voltage is applied |
| - applying operating voltage | The device starts up with the condition last stored. |

4

Technical data ($T_{amb} = +23\text{ °C}$, $U_B = DC\ 24\ V$)

Enquire adjusted current rating with REX12D-TE2

Enquiry of currently adjusted current rating, independent of the operating mode (COM or standard), possible for each channel directly on the REX12D-TE2
 Enquiry mode is started by pushing the button between ≥ 2 seconds and < 5 seconds After releasing the button, the LED is RED for 333 ms to indicate start of enquiry. Afterwards, the LED flashes ORANGE in a puls/break ratio of 1/2 with a frequency of 1 Hz to indicate the adjusted current value. When the adjusted current rating is reached, signalling re-starts after the RED LED re-lights for 333 ms. The enquiry mode is left after the adjusted current rating was signalled 5 times or by pressing the button. Visual indication will now show again the current operating condition.
 The enquiry mode is possible in all operating conditions (ON, OFF, UNDERVOLTAGE and TRIPPED).

Adjustment of current rating with REX12D-TE2

The adjustment mode directly on the REX12D-TE2 can only be activated in the standard mode
 The adjustment mode is started per channel by pushing the button for ≥ 5 seconds. After releasing the button, the LED is RED for 333 ms to indicate start of adjustment. The LED is blinking GREEN with a pulse/break ratio of 1/4 at a frequency of 0.6 Hz for visual indication. GREEN After reaching the max. adjustment value, signalling re-starts. Overrun of the max. adjustment value after 1 Ampere is indicated by the RED LED (333 ms). The current rating to be adjusted is adopted by pushing the button during the blinking period of 1 A up to the max. adjustment value. If for instance the button is pushed after the 7th illumination of the GREEN LED, 7A is adopted as current rating and visual indication again shows the current operating condition. If the button is not pressed, the adjustment mode is left after 5 times signalling the current rating range without a new current rating being adopted and the visual indication returns to current status indication.
 The adjustment mode is possible in all operating conditions (ON, OFF, UNDERVOLTAGE and TRIPPED).

Go to video **Mounting and operation:**



Reset function

a blocked load output (blocked by overload / short circuit) can externally be reset by the ON/OFF momentary switch

Leakage current in load circuit in OFF condition

typically $< 1\text{ mA}$

Technical data ($T_{amb} = +23\text{ °C}$, $U_B = DC\ 24\ V$)

| | | |
|--|---|---------------------------------|
| Capacitive loads | up to 20,000 μF : depending on: cable attenuation, power supply used, load current and current rating | |
| Free-wheeling diode | external free-wheeling circuit at inductive load (rating according to load) | |
| Parallel connection of several load outputs | not allowed | |
| Status output SM | status indicator in REX system | |
| Electrical data | minus switching signal output Group signalling is implemented in connection with EM12-T supply module | |
| Terminals LOAD+ | | |
| Push-in terminal PT 2.5 | 0.14 mm ² ...2.5 mm ² | flexible AWG24 – AWG14 rigid |
| stripping length | 8 mm...10 mm | |
| Dimensions (w x h x d) | 12.5 x 80 x 98.5 mm | |
| Mass | | |
| REX12-TA1-xxx 1-channel approx. 57 g | | |
| REX12-TB1-xxx 2-channel approx. 60 g | | |
| REX12-TA2-xxx 2-channel approx. 58 g | | |
| REX12D-TE2-xxx 2-channel approx. 62 g | | |
| General data REX / EM / PM | | |
| Housing material | moulded | |
| Mounting | symmetrical rail to EN 60715-35x7.5 | |
| Ambient temperature T_U | -25 °C...+60 °C (without condensation, cf. EN 60204-1) | |
| Storage temperature | -40 °C ... +70 °C | |
| Mounting temperature | +5°...+60 °C | |
| Humidity | 96 hrs / 95% RH/40 °C to IEC 60068-2-78-Cab climate class 3K3 to EN 60721 | |
| Altitude | 2,000 m above sea level 3,000m above sea level up to +55 °C 4,000m above sea level up to +50 °C | |
| Operation pressure | 4 bar above atmospheric pressure | |
| Corrosion | 96hrs. in 5 % salt mist to IEC 60068-2-11 test Ka | |
| EM accessories | | |
| Vibration | 5 g test to IEC 60068-2-6, test Fc | |
| Degree of protection (IEC 60529, DIN VDE 0470) | operating area REX12: IP30 | |
| terminal area EM, PM: | IP20 | |
| EMC requirements (EMC directive, CE logo) | noise emission susceptibility: | EN 61000-6-3 EN 61000-6-2 |
| Insulation co-ordination (IEC 60934) | 0.5 kV / pollution degree 2 | |
| Dielectric strength | max. DC 30 V (load circuit) | |
| Insulation resistance (OFF condition) | n/a, only electronic disconnection | |
| Conformity | CE marking | |

Approvals and standards

| Approval authority | Standard | UL file no. | Voltage ratings | Current rating range |
|--------------------|---------------------------------------|-------------|-----------------|---|
| UL | UL 2367, UL 1310 NEC Class2 | E306740 | DC 24 V | 1...10 A 1 A, 2 A, 3 A, 4 A, 1 A...4 A |
| UL | UL 508 listed, CSA C22.2 No. 14 | E492388 | DC 24 V | 1 A...10 A |

PM and EM – accessories approvals see technical data of accessories

Preferred types - a short explanation

Preferred types are E-T-A products most frequently used by E-T-A customers. We manufacture E-T-A preferred types in particularly high volumes. Our preferred types are supplied at shorter lead times than non-standard versions.

Preferred types

| Preferred types | Short description | Preferred ratings (A) | | | | | | |
|-----------------------|----------------------------------|-----------------------|---|---|----|-----|-----|-----|
| | | 2 | 4 | 6 | 10 | 2/2 | 4/4 | 6/6 |
| REX12-TA1 | 1-channel | | | | | | | |
| REX12-TA1-107-DC24V- | | x | x | x | x | | | |
| REX12-TA2 | 2-channel | | | | | | | |
| REX12-TA2-107-DC24V- | | | | | | x | x | x |
| REX12D-TE2 | 2-channel, adjustable | 1 A...10 A | | | | | | |
| REX12D-TE2-100-DC24V- | | x | | | | | | |

Ordering number code – REX12-T

| Type | REX12 | Electronic circuit protector with PT connection technology |
|---|----------------|--|
| Mounting method | T | rail mounting |
| Design | A | 1 load output terminal per channel, fixed current ratings xA or xA/xA |
| B | | 2 load output terminals per channel, fixed current ratings xA (only 1 channel) |
| Number of channels | 1 | 1 channel (only 1-channel) |
| 2 | | 2 channels |
| Version | 1 | without physical isolation |
| Signal input | 0 | without signal input |
| Signal output | 7 | status output |
| Operating voltage | DC 24 V | voltage rating DC 24 V |
| Rated current | | 1 A (only 1 channel, Class2) 2 A (only 1 channel, Class2) 3 A (only 1 channel) 4 A (only 1 channel) 6 A (only 1 channel) 8 A (only 1 channel) 10 A (only 1 channel) 1 A / 1 A (only 2 channels, Class2) 2 A / 2 A (only 2 channels, Class2) 3 A/3 A (only 2 channels) 4 A/4 A (only 2 channels) 6 A/6 A (only 2 channels) |
| Approval | CL2 | Class2 (only 3A and 4A versions) |
| REX12 - T A 1 - 1 0 7 - DC24V - 10 A example (1-channel) REX12 - T A 2 - 1 0 7 - DC24V - 4A/4A - CL2 example (2-channel) | | |

Ordering number code – REX12D-TE2

| Type | REX12D | intelligent electronic circuit protector with PT connection technology |
|---|----------------|--|
| Mounting method | T | rail mounting |
| Design | E | 1 load output terminal per channel, variable current ratings xA/xA, adjustable standard and COM mode |
| Number of channels | 2 | 2 channels |
| Version | 1 | without physical isolation |
| Signal input | 0 | without signal input |
| Signal output | 0 | without signal output |
| Operating voltage | DC 24 V | voltage rating DC 24 V |
| Rated current | | 1 A – 10 A (only 2 channels) 1 A – 4 A (only 2 channels) |
| Approvals | CL2 | Class2 (only for 1 A - 4 A version) |
| REX12D-T E 2 - 1 0 0 - DC24V - 1 A - 10 A CL2 ordering example | | |

Custom designed versions

Looking for a version you cannot find in our ordering number code? Please get in touch. We will be pleased to find a solution for you.

Overview of ordering number codes

| | |
|---|---|
| Supply module | EM12-T00-000-DC24V-40A EM12-T01-001-DC24V-40A |
| Circuit protectors: 1-channel | REX12-TA1-107-DC24V-1A (Class2) REX12-TA1-107-DC24V-2A (Class2) REX12-TA1-107-DC24V-3A REX12-TA1-107-DC24V-3A-CL2 (Class2) REX12-TA1-107-DC24V-4A REX12-TA1-107-DC24V-4A-CL2 (Class2) REX12-TA1-107-DC24V-6A REX12-TA1-107-DC24V-8A REX12-TA1-107-DC24V-10A |
| Circuit protectors: 1-channel 2 load output terminals | REX12-TB1-107-DC24V-1A (Class2) REX12-TB1-107-DC24V-2A (Class2) REX12-TB1-107-DC24V-3A REX12-TB1-107-DC24V-3A-CL2 (Class2) REX12-TB1-107-DC24V-4A REX12-TB1-107-DC24V-4A-CL2 (Class2) REX12-TB1-107-DC24V-6A REX12-TB1-107-DC24V-8A REX12-TB1-107-DC24V-10A |
| Circuit protectors: 2-channel | REX12-TA2-107-DC24V-1A/1A (Class2) REX12-TA2-107-DC24V-2A/2A (Class2) REX12-TA2-107-DC24V-3A/3A REX12-TA2-107-DC24V-3A/3A-CL2 (Class2) REX12-TA2-107-DC24V-4A/4A REX12-TA2-107-DC24V-4A/4A-CL2 (Class2) REX12-TA2-107-DC24V-6A/6A |
| Circuit protectors 2-channel, adjustable | REX12D-TE2-100-DC24V-1A-4A-CL2 (Class 2) REX12D-TE2-100-DC24V-1A-10A |
| Accessories | |
| Supply modules | EM12-T00-100-LINE-40A EM12-T00-200-LINE-40A EM12-T00-000-GND-40A EM12-T00-300-GND-40A |
| Potential modules | PM12-T01-00-LOAD-20A PM12-T02-00-LOAD-20A PM12-T03-00-GND-20A |

REX12-Quat-Pack-1A-10A electronic circuit protector

REX12-Quat-Pack-1A-10A

4-channel pack, selective load protection, voltage rating DC24V variable current ratings 1A-10A in 1A steps, rail mounting, installation width 37.5 mm, push-in connection technology, signalling with auxiliary contact N/O

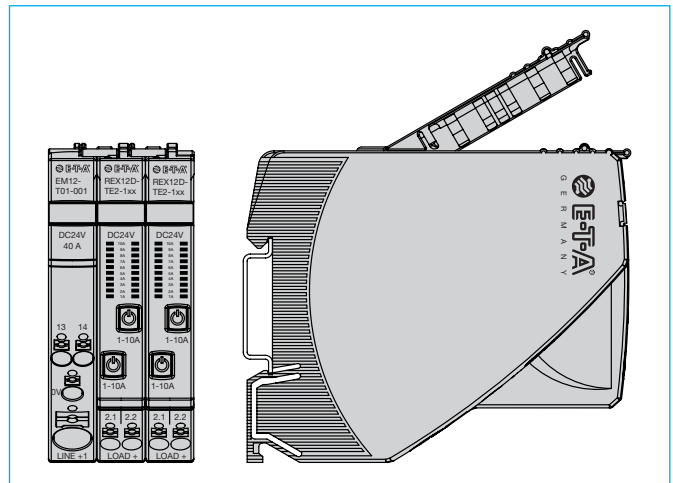
current ratings 4 x 1A-10A adjustable

A pack consists of

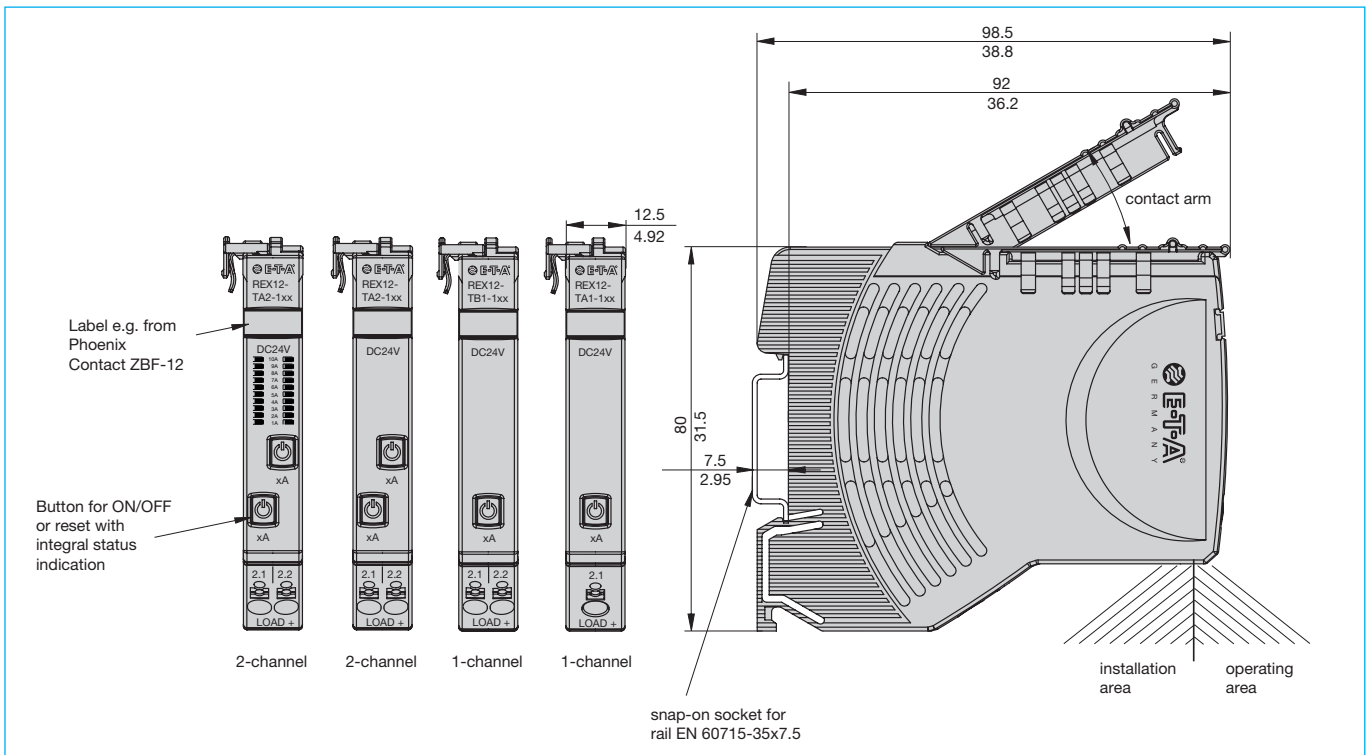
- 1 supply module, EM12-T01-001-DC24V-40A
- 2 circuit protectors, 2-channel, adjustable 1-10A, REX12D-TE2-100-DC24V-1A-10A

part number: X22378501

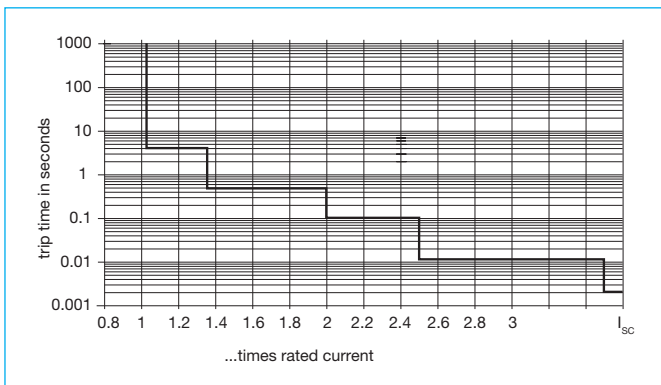
REX12-Quat-Pack-1A-10A



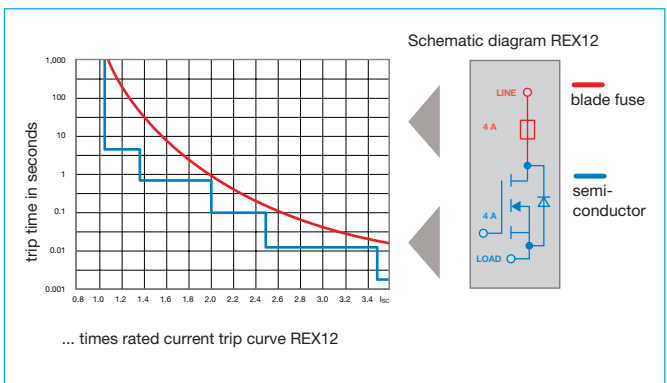
Dimensions with connection diagram: REX12-TA1-xxx / REX12-TB1-xxx / REX12-TA2-xxx / REX12D-TE2-xxx



Typical time/current characteristic ($T_{amb} = +23\text{ °C}$, $UB = DC - 24\text{ V}$)



Basic trip curve and schematic diagram REX12



Temperature factor / continuous duty

The time/current characteristic depends on the ambient temperature. In order to determine the max. load current, please multiply the current rating with the temperature factor and consider the factor for side-by-side mounting.

Temperature factor table:

| | | | | | | |
|--------------------------|---|----|----|------|------|------|
| ambient temperature [°C] | 0 | 10 | 23 | 40 | 50 | 60 |
| temperature factor | 1 | 1 | 1 | 0.95 | 0.90 | 0.85 |

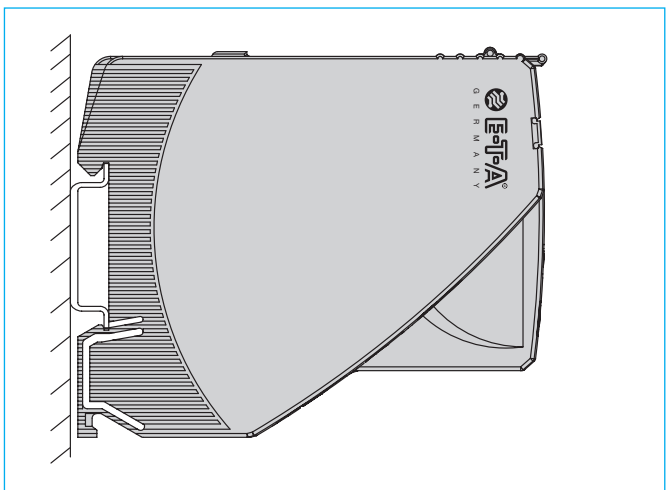
Note:

When mounted side-by-side, the devices can carry max. 80 % of their rated load or a different rating has to be selected (see Technical Information on www.e-t-a.de/ti_d)

With high temperatures, the load current warning threshold “warn limit typically $0.9 \times I_N$ ” will be reduced in accordance with the temperature factor.

Selection of current rating of the circuit protector \leq rating of power supply.

Mounting position REX... preferred mounting position horizontal



Description - EM12-T supply module

The EM12-T supply module receives the DC 24 V supply voltage, e.g. from a switch mode power supply, and distributes it to the mounted circuit protectors via the integral connector arm of the REX12-T.

The potential-free auxiliary contact in the EM12-T indicates any detected failures through the circuit protector, e.g. to the superordinate control unit (CPU).

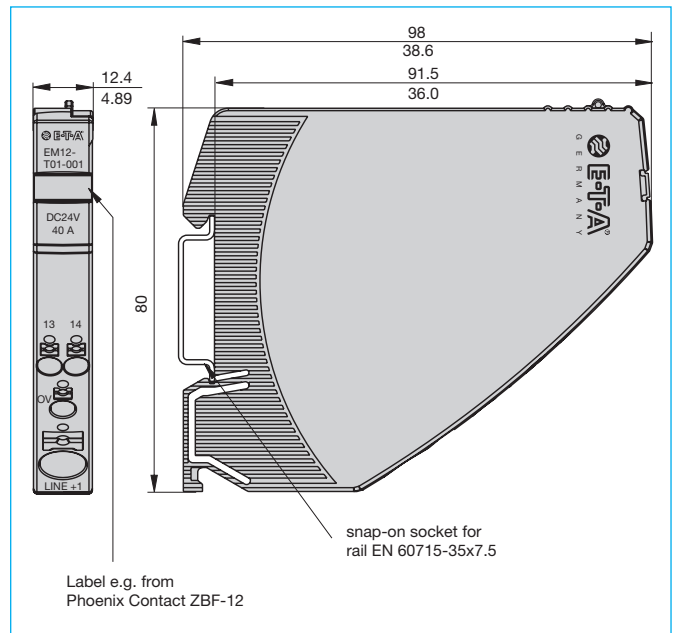
Technical data ($T_{amb} = +23\text{ °C}$, $U_B = \text{DC } 24\text{ V}$)

| | |
|---|--|
| Operating voltage U_B | DC 24 V (18...30 V) |
| Operating current I_B | max. 40 A |
| Reverse polarity protection | Yes |
| Signalling | only EM12-T01-001-DC24V-40A |
| Quiescent current I_0 | typically 10 mA |
| potential-free auxiliary change-over contact | max. DC 30 V / 0.5 A min. 10 V / 1 mA |
| Group signalling Si contact: Si (13) / Si (14) | auxiliary contact, make contact |
| normal condition: | Auxiliary contact closed based on all protection modules <ul style="list-style-type: none"> - when ON, load output connected - when OFF, load output disconnected |
| Fault condition: | Auxiliary contact open based on one or more protection modules <ul style="list-style-type: none"> - after overload or short circuit trip - after undervoltage release of operating voltage in ON condition with autoreset - at no operating voltage U_B in supply module |
| Insulation co-ordination | 0.5 kV / pollution degree 2 |
| Power failure buffering time | Si up to 10 ms |
| Screw terminals | LINE+ |
| Push-in terminal PT 10 | 0.5 mm ² ...10 mm ² flexible AWG24 – AWG8 rigid 18 mm |
| stripping length | 18 mm |
| Screw terminals | 0 V / Si 13 / Si 14 |
| Push-in terminal PT 2.5 | 0.14 mm ² ... 2.5 mm ² flexible AWG24 – AWG14 rigid 8 mm...10 mm |
| stripping length | 8 mm...10 mm |
| Dimensions (w x h x d) | 12.5 x 80 x 98 mm |
| Mass | approx. 52 g |
| Circuit protectors can be mounted side-by-side REX12-Tx1-x or REX12-TA2-x or REX12D-TE2 2-channel max. 16 pcs | |

Ordering number code - EM12

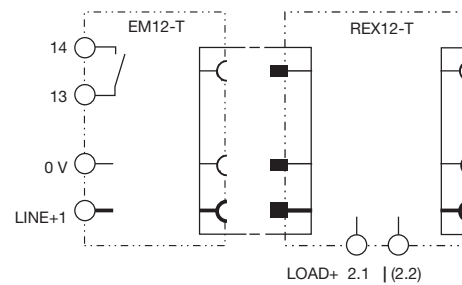
| | | |
|-----------------------------------|--------------------------------------|--|
| Type | EM12 | supply module for REX12, with PT connection technology |
| Mounting method | T | rail mounting |
| Version: Communication, interface | 00 | without signal |
| | 01 | analog signal |
| Additional functionality | 0 | without |
| Signal input | 0 | without signal input |
| Signal output | 0 | without auxiliary contact |
| | 1 | signal make contact |
| Operating voltage | DC 24 V | voltage rating DC 24 V |
| Rated current | 40 A | Rated current 40 A |
| Ordering example | EM12 - T 01 - 0 0 1 - DC 24 V - 40 A | |

Dimensions EM12-T01-xxx supply module

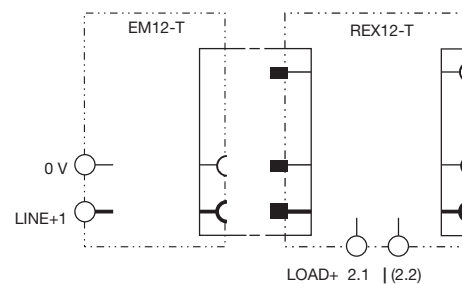


Schematic diagram EM12-Txx-xxx with REX12-xx

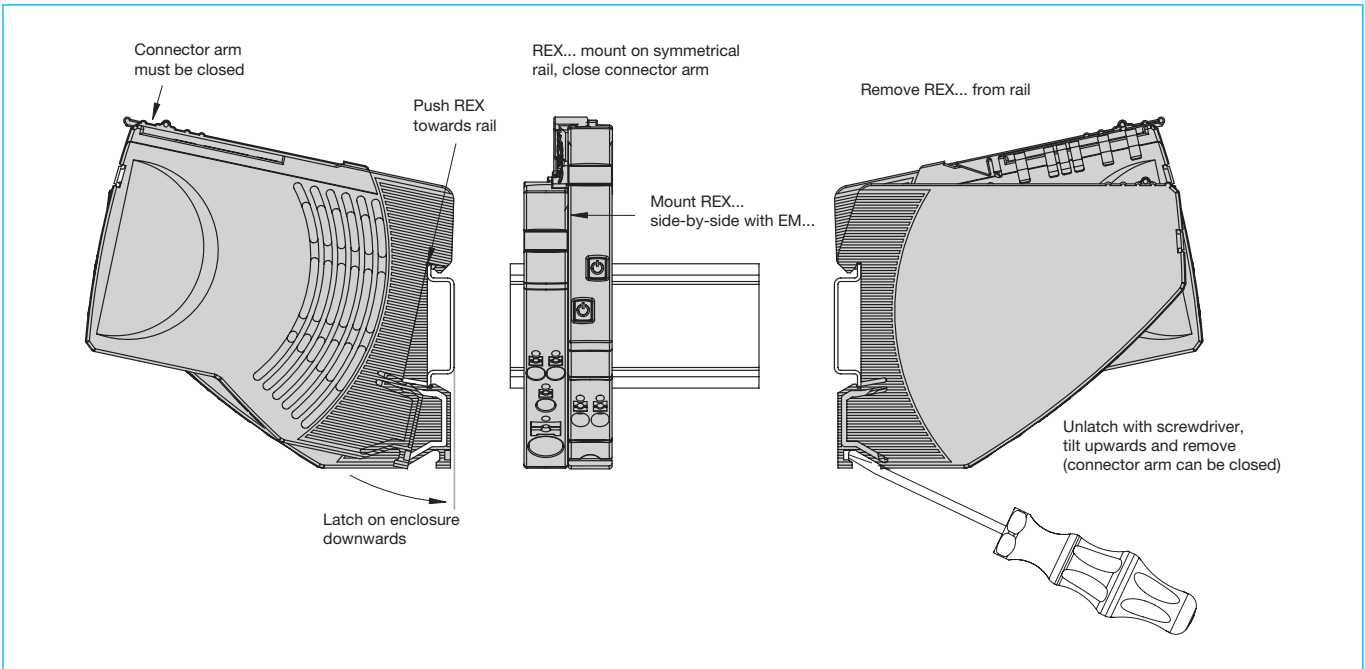
EM12-T01-001-DC24V-40A



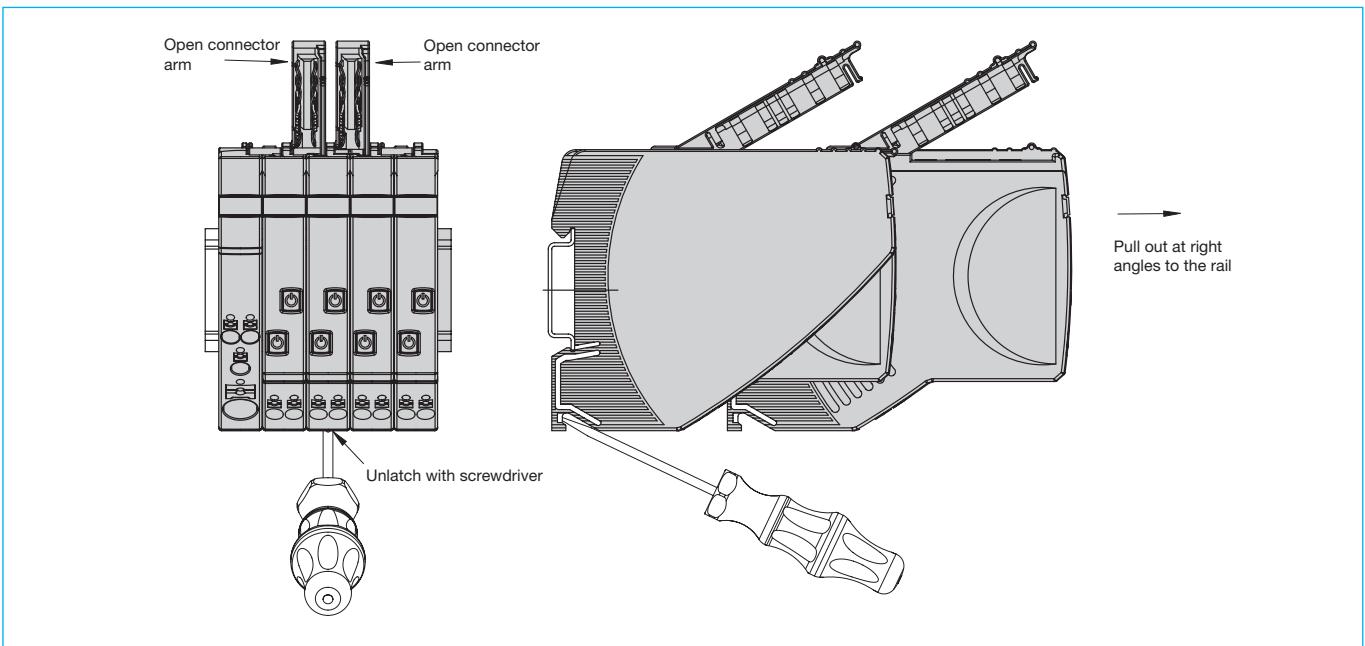
EM12-T00-000-DC24V-40A



Application example: REX... mounting on or removing from symmetrical rail



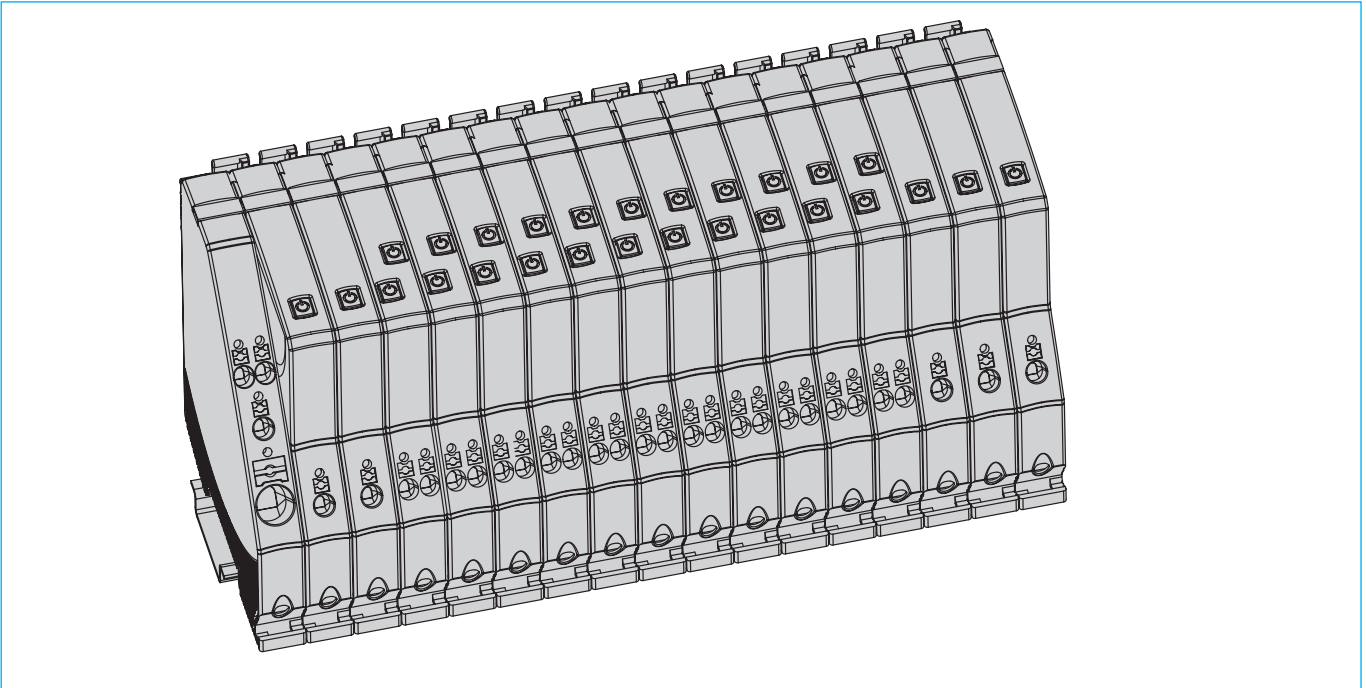
Application example: REX... Replacement or disassembly



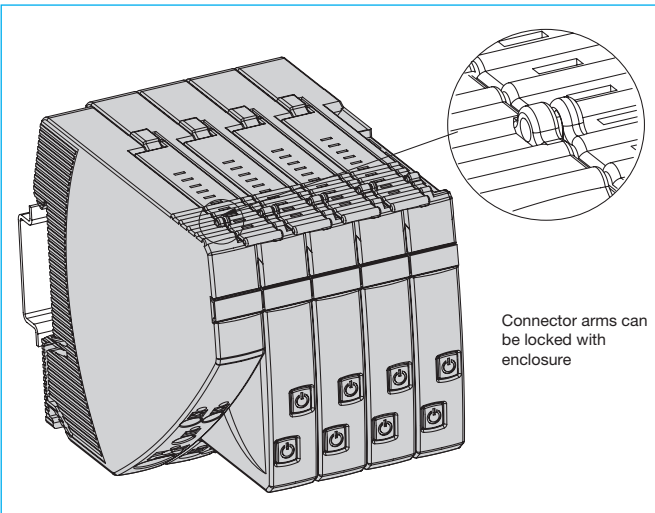
Instructions for installation

Mounting or actuation of the REX connector arm must only be effected at dead-voltage. For start-up the REX connector arm must be closed.

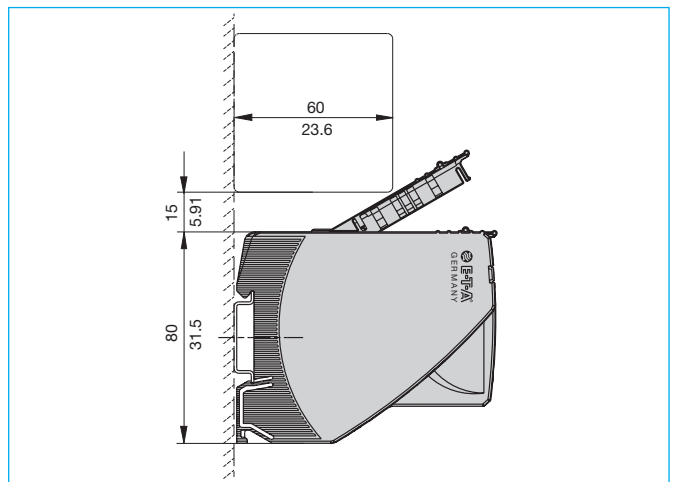
Application example: EM12-T with REX12-TA1... and REX12-TA2...



Application example: REX... Locked connector arms



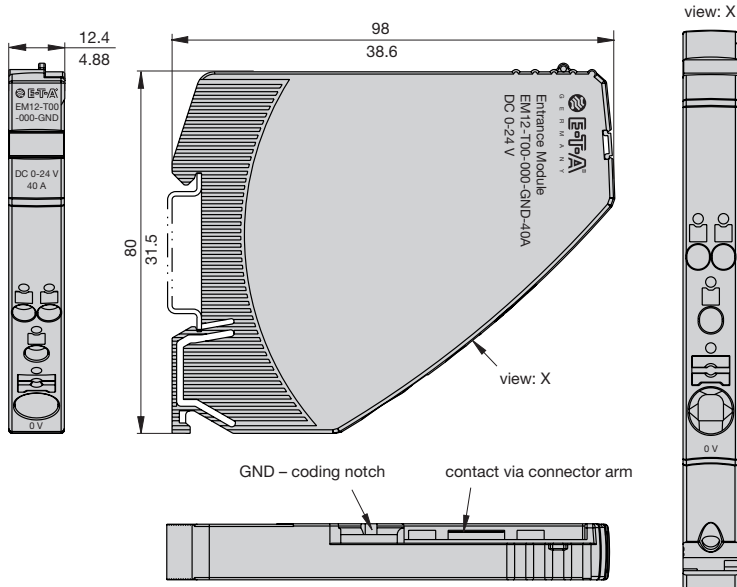
Application example: REX12(D)-T... distance between cable duct and connector arm



All information and data given on our products are accurate and reliable to the best of our knowledge, but E-T-A does not accept any responsibility for the use in applications which are not in accordance with the present specification. E-T-A reserves the right to change specifications at any time in the interest of improved design, performance and cost effectiveness. Dimensions are subject to change without notice. Please enquire for the latest dimensional drawing with tolerances if required. All dimensions, data, pictures and descriptions are for information only and are not binding. Amendments, errors and omissions excepted. Ordering codes of the products may differ from their marking.

Accessories

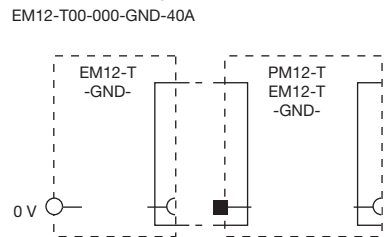
EM12-T00-000-GND-40A supply module left - 0V - GND



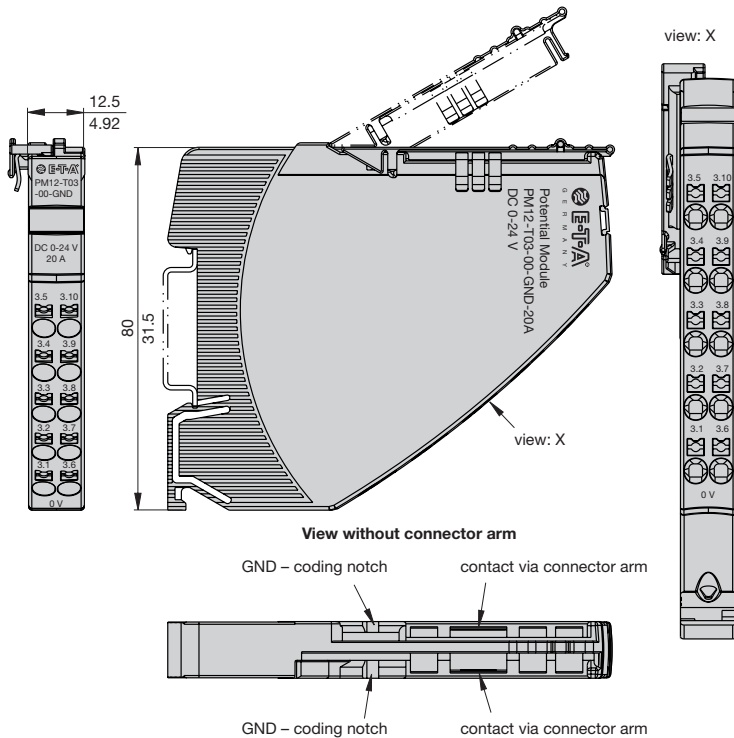
Technical data

| | |
|--|--|
| Please observe general data of REX / EM / PM | |
| Operating voltage U_B | 0 V – DC 24 V (0...30 V) |
| Operating current I_B | max. load 40 A |
| line terminal | 0 V – GND |
| Push-in terminal PT 10 | 0.5 mm ² ...10 mm ² flexible AWG24 – AWG8 rigid |
| stripping length | 18 mm |
| Dimensions (w x h x d) | 12.5 x 80 x 98 mm |
| Mass | approx. 40 g |
| Approvals | UL 1059, File # E335289 |

Schematic diagram



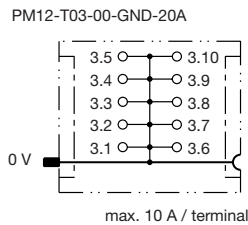
PM12-T03-00-GND-20A potential module - GND (10-way)



Technical data

| | |
|--|---|
| Please observe general data of REX / EM / PM | |
| Operating voltage U_B | 0 V – DC 24 V (0 ... 30 V) |
| Operating current I_B | max. load 20 A |
| line terminal | 0 V – GND |
| Push-in terminal PT 2.5 | 0.14 mm ² ...2.5 mm ² flexible AWG24 – AWG14 rigid |
| stripping length | 8 mm...10 mm |
| Dimensions (w x h x d) | 12.5 x 80 x 98 mm |
| Mass | approx. 52 g |
| Approvals | UL 1059, File # E335289 |

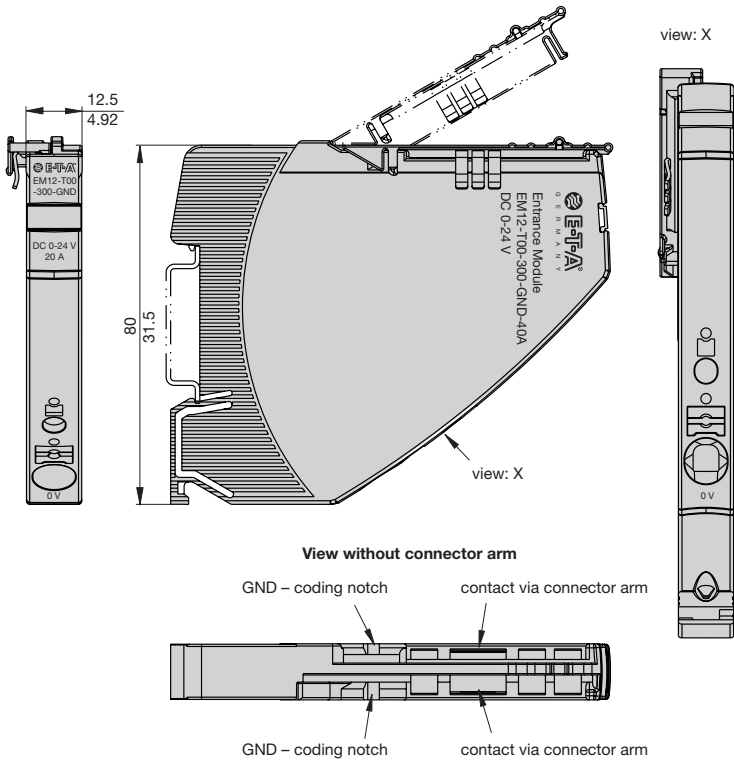
Schematic diagram



4

Accessories

EM12-T00-300-GND-40A supply module centre/right – 0V – GND

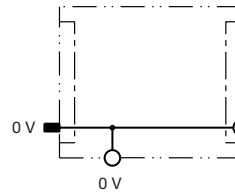


Technical data

| | |
|--|--|
| Please observe general data of REX / EM / PM | |
| Operating voltage U_0 | DC 24 V (0 ... 30 V) |
| Operating current I_B | max. load 40 A |
| line terminal | 0 V – GND |
| Push-in terminal PT 10 | 0.5 mm ² ...10 mm ² flexible AWG24 – AWG8 rigid |
| stripping length | 18 mm |
| Dimensions (w x h x d) | 12.5 x 80 x 98 mm |
| Mass | approx. 45 g |
| Approvals | UL 1059, File # E335289 |

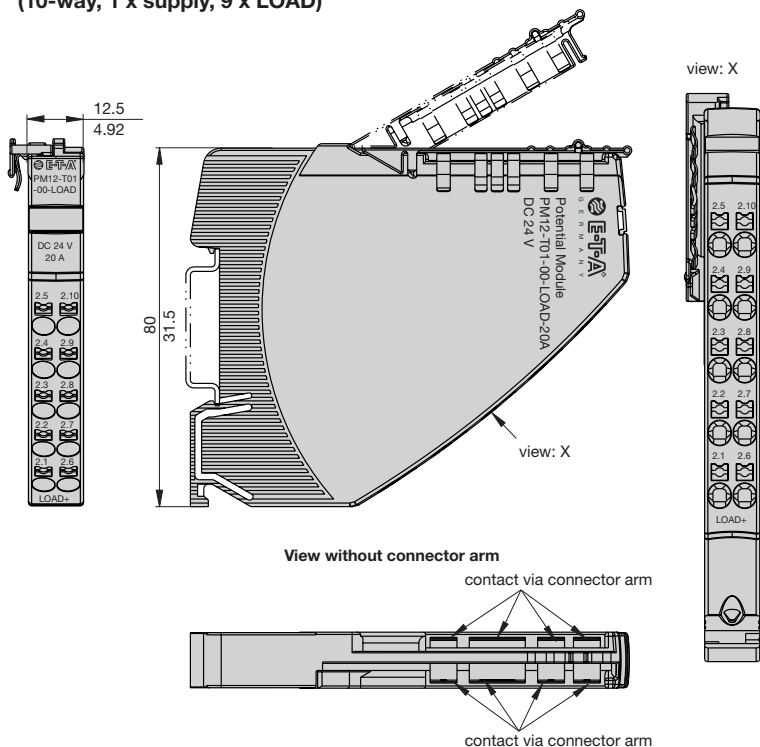
Schematic diagram

EM12-T00-300-GND-40A



Accessories

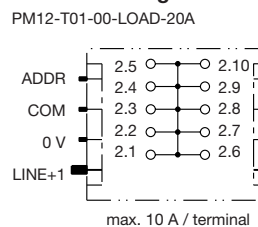
PM12-T01-00-LOAD-20A potential module – LOAD (10-way, 1 x supply, 9 x LOAD)



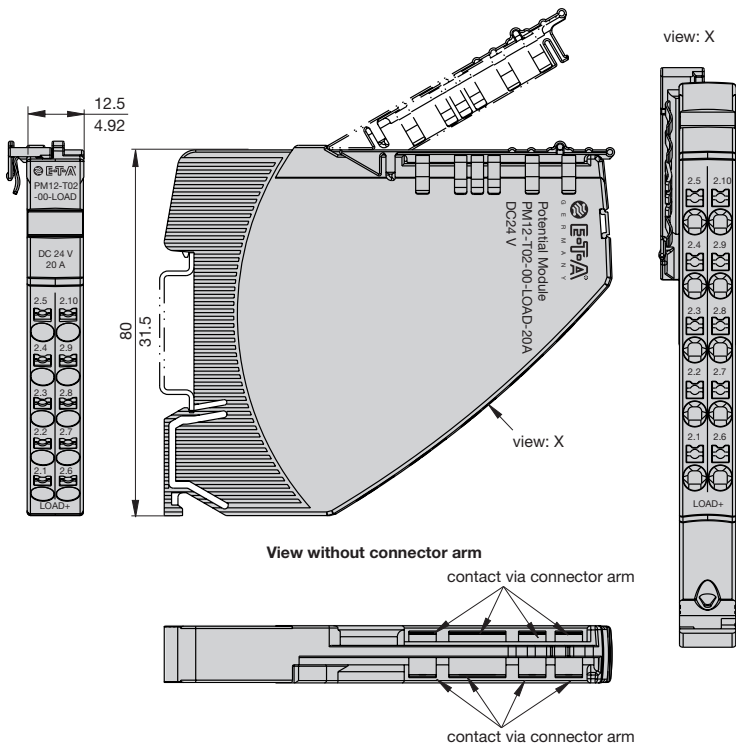
Technical data

| | |
|--|--|
| Please observe general data of REX / EM / PM | |
| Operating voltage U_B | DC 24 V (18...30 V) |
| Operating current I_B | max. load 20 A |
| Insulation co-ordination | 0.8 kV / pollution degree 2 |
| Screw terminals | LOAD+ |
| Push-in terminal PT 2.5 | 0.14 mm ² ...2.5 mm ² flexible AWG24 – AWG14 rigid |
| stripping length | 8 mm...10 mm |
| Dimensions (w x h x d) | 12.5 x 80 x 98 mm |
| Mass | approx. 52 g |
| Approvals | UL 1059, File # E335289 |

Schematic diagram



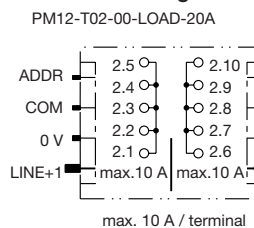
PM12-T02-00-LOAD-20A potential module – LOAD (2 x 5-way, 1 x supply and 4 x LOAD each)



Technical data

| | |
|--|--|
| Please observe general data of REX / EM / PM | |
| Operating voltage U_B | DC 24 V (18...30 V) |
| Operating current I_B | max. load 20 A |
| Insulation co-ordination | 0.8 kV / pollution degree 2 |
| Screw terminals | LOAD+ |
| Push-in terminal PT 2.5 | 0.14 mm ² ...2.5 mm ² flexible AWG24 – AWG14 rigid |
| stripping length | 8 mm...10 mm |
| Dimensions (w x h x d) | 12.5 x 80 x 98 mm |
| Mass | approx. 52 g |
| Approvals | UL 1059, File # E335289 |

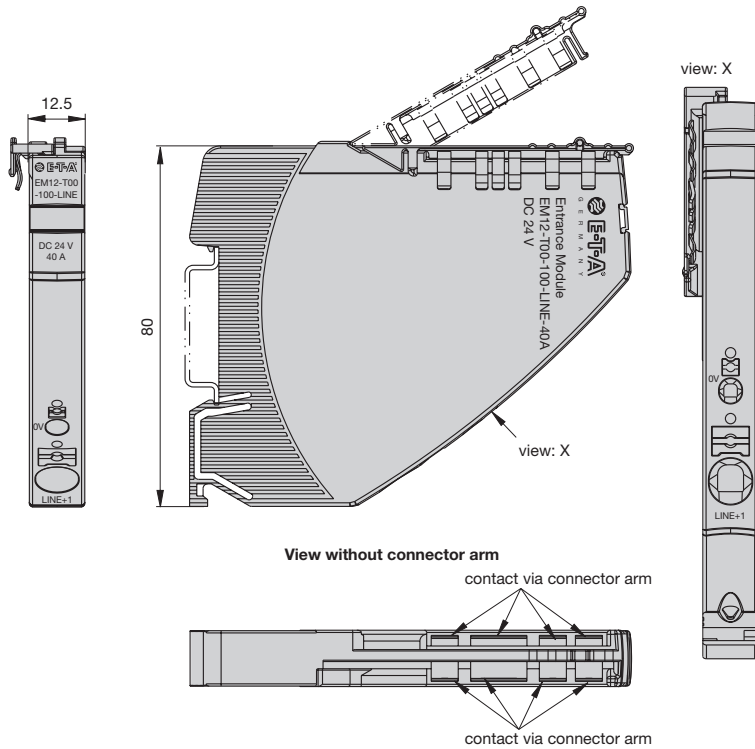
Schematic diagram



4

Accessories

EM12-T00-100-LINE-40A supply module centre/right – LINE, LINE connected

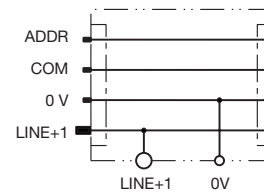


Technical data

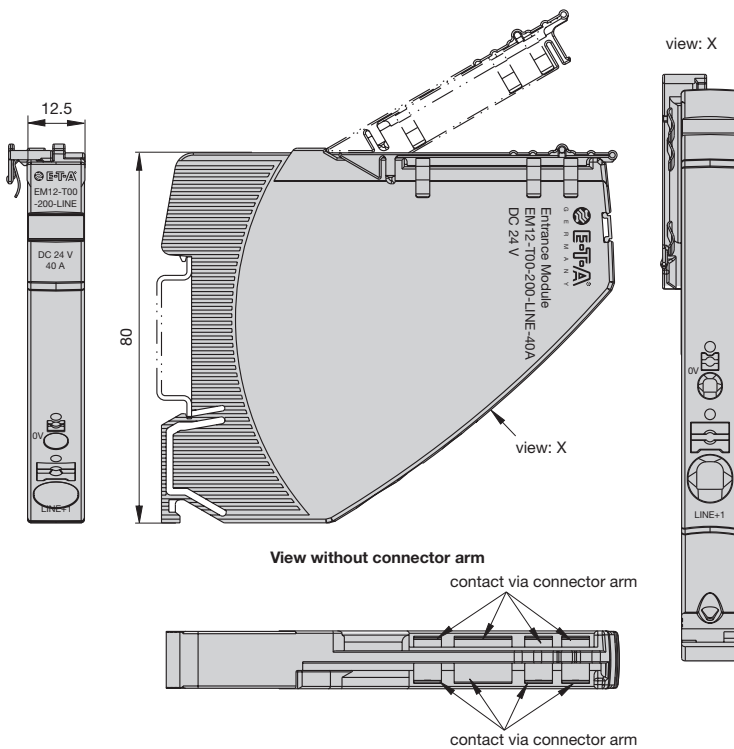
| | |
|--|---|
| Please observe general data of REX / EM / PM | |
| Operating voltage U_B | DC 24 V (18...30 V) |
| Operating current I_B | max. load 40 A |
| Insulation co-ordination | 0.8 kV / pollution degree 2 |
| Screw terminals LINE+1 | |
| Push-in terminal PT 10 | 0.5 mm ² ...10 mm ² flexible AWG24 – AWG8 rigid |
| stripping length | 18 mm |
| Screw terminals 0 V | |
| push-in terminal PT 2.5 | 0.14mm ² ...2.5mm ² flexible AWG26 – AWG14 rigid |
| Stripping length | 8 mm ... 10 mm |
| Dimensions (w x h x d) | 12.5 x 80 x 98 mm |
| Mass | approx. 52 g |
| Approvals | UL 1059, File # E335289 |

Schematic diagram

EM12-T00-100-LINE-40A



EM12-T00-200-LINE-40A supply module centre/LINE, LINE separated

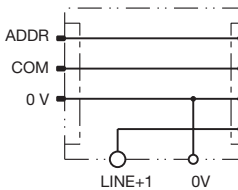


Technical data

| | |
|--|---|
| Please observe general data of REX / EM / PM | |
| Operating voltage U_B | DC 24 V (18...30 V) |
| Operating current I_B | max. load 40 A |
| Insulation co-ordination | 0.8 kV / pollution degree 2 |
| Screw terminals LINE+1 | |
| Push-in terminal PT 10 | 0.5 mm ² ...10 mm ² flexible AWG24 – AWG8 rigid |
| stripping length | 18 mm |
| Screw terminals 0 V | |
| Push-in terminal PT 2.5 | 0.14mm ² ...2.5mm ² flexible AWG24 – AWG14 rigid |
| stripping length | 8 mm...10 mm |
| Dimensions (w x h x d) | 12.5 x 80 x 98 mm |
| Mass | approx. 52 g |
| Approvals | UL 2367, File # E306740; cULus508listed, File # E492388 |

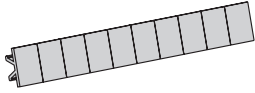
Schematic diagram

EM12-T00-200-LINE-40A



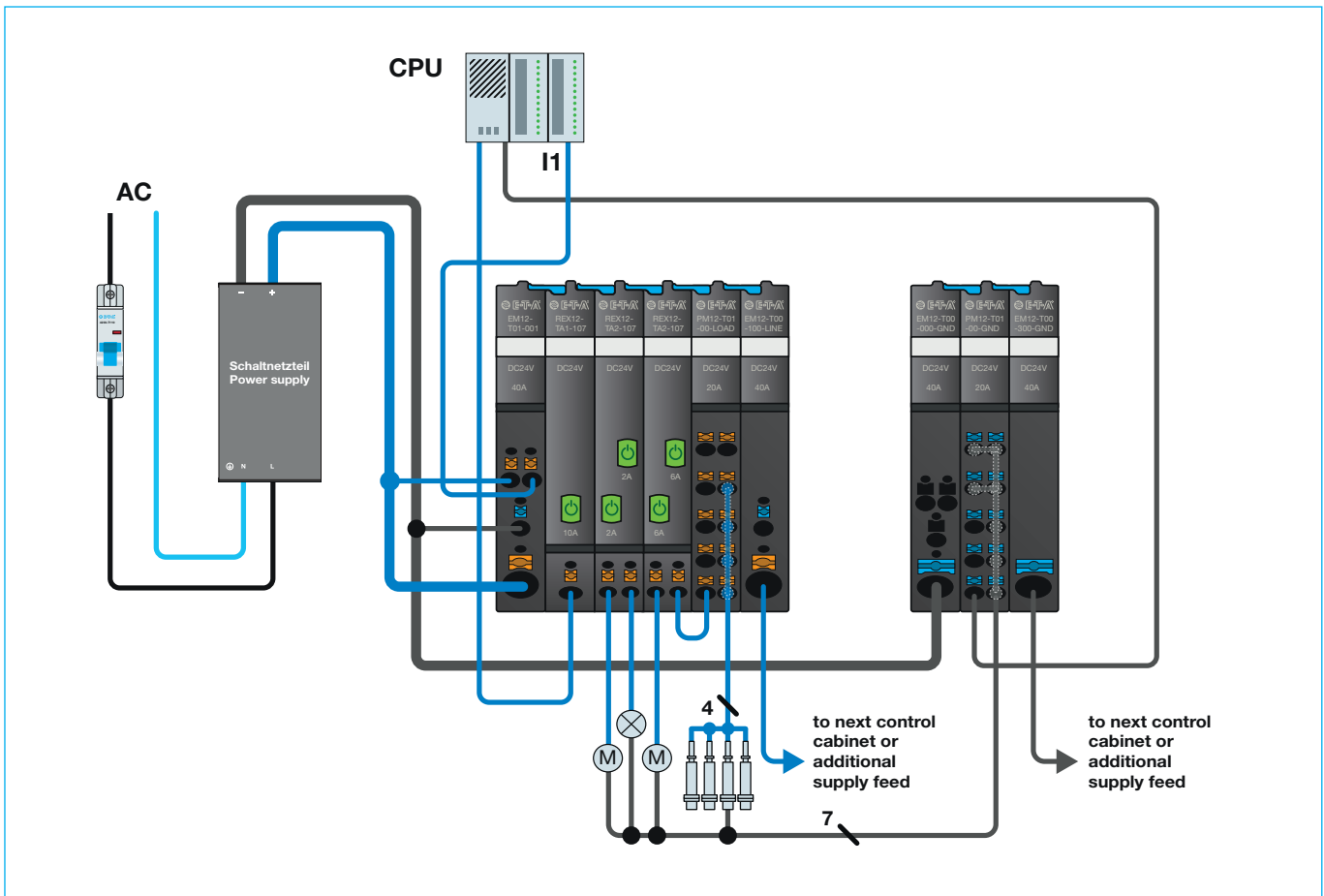
Accessories

Label
 Marking area 6 x 10 mm
 Part number Y 307 942 61



Note: Please use 2 strips per EM12, PM12 or REX12 module

Application example: EM12-T ... with REX12-TAx... and PM12-...



4