

Description

Modular distribution rail, each module accommodating 2 magnetic or hydraulic-magnetic circuit breakers type 8340-F... and associated load terminals. Circuit breaker status indication (group signalling) is via 2 busbars. Power supply is via right- or left-side terminal block. Live parts in the plug-in and supply feed terminal areas are protected against brush contact. Circuit breakers may be replaced with power on.

US patent number: US 6,191,948 B1

Typical applications

Telecommunications and cellular communication systems

Ordering information

Type No.	X8340	Distribution rail for circuit breaker type 8340
Version	S	rail
Identification number	02	modular, for 2 circuit breakers
Power supply	L	left-side
	R	right-side
Modules with power supply	2	2 modules, 2-way each
	3	3 modules, 2-way each
Signalisation	0	without signalling
	1	group signalling
	3	single signalling
Accessories	00	without
	01	cover per module
	09	mounting screw M4 (bulk shipped) + ground stud M6
	10	cover per module + mounting screw M4 (bulk shipped) + ground stud M6
Ordering example	X8340 - S 02 L 2 - 1 01	ordering example

Approvals

Authority	Voltage ratings	Current ratings
UL 1801	AC 250 V; DC 80 V	100 A



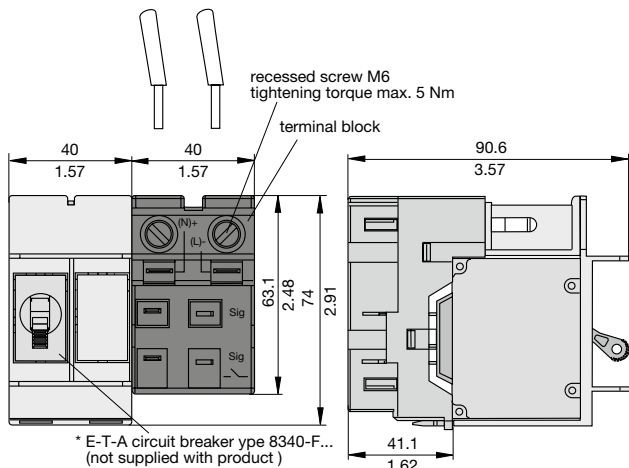
X8340-S02

Technical data

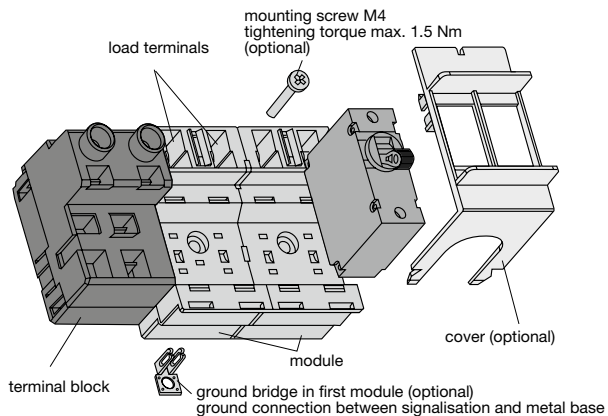
For circuit breaker type	8340-F.10-P1..-H...	
Voltage rating	AC 230 V; DC 80 V	
Load	25 A per position (30 A upon request) 132 A for complete unit	
Signalisation (N/C)	6 A, AC 230 V 1 A, DC 80 V per position	
Insulation co-ordination (IEC 60664 and 60664A)	Rated impulse withstand voltage 2.5 kV	Pollution degree 2
Flame retardance (IEC 60695, part 2-2)	self-extinguishing	
Supply terminal design (terminal socket)	recessed screw/pressure plate 6...50 mm ² , stranded feed-in 6...35 mm ² with connector sleeve additional blade terminals 6.3x0.8	
load (module)	blade terminals 6.3x0.8 load output terminal protected against reverse polarity	
signalisation (module)	blade terminals 4.8x0.8	
Mass	terminal block	144 g
	power distribution module	96 g
	cover	12 g

Dimensions

Distribution rail, shown with power supply right-side X8340-S02R-...



Distribution rail, shown with power supply left-side X8340-S02L-...



Internal connection diagrams

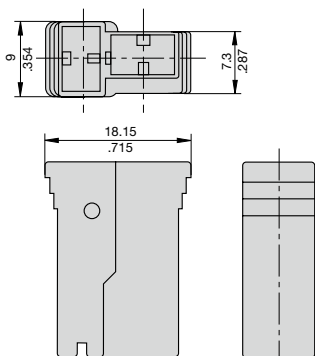
Load output terminal protected against reverse polarity

(set: 4 moulded sleeves, 8 blade terminals 6.3 x 0.8 mm)

X 222 847 01 for cable cross section 0.7...2.0 mm²

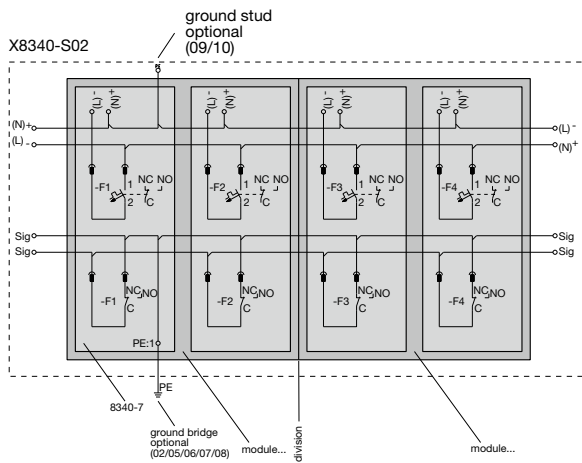
X 222 625 01 for cable cross section 2.5...4.0 mm²

X 222 848 01 for cable cross section 4.0...6.0 mm²

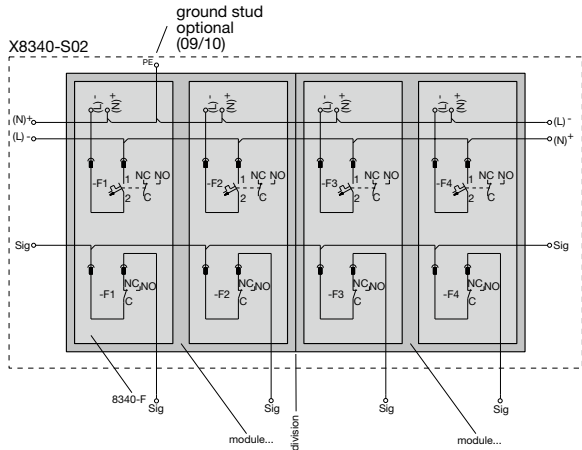


Internal connection diagram

Group signalling



Single signalling



This is a metric design and millimeter dimensions take precedence ($\frac{mm}{inch}$)

All dimensions without tolerances are for reference only. In the interest of improved design, performance and cost effectiveness the right to make changes in these specifications without notice is reserved. Product markings may not be exactly as the ordering codes. Errors and omissions excepted.